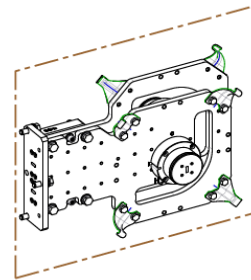
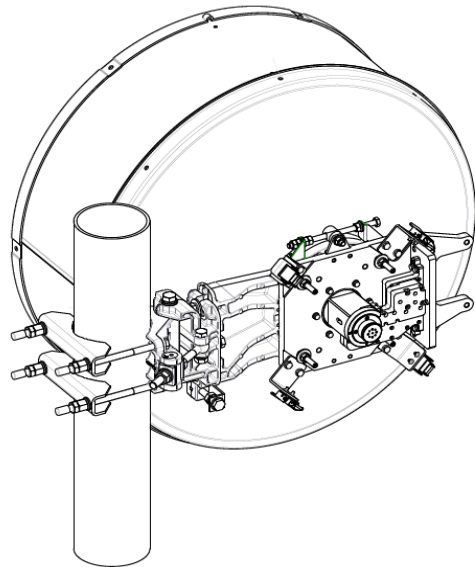


Antenna FIA06-80S15D-M



OPTIONAL MODULE
FOR ODU DIRECT MOUNT
VARIOUS RADIO VENDORS

General Specifications

Diameter	0.6 m
Standard Colour	White
Antenna Input	Two rectangular ports @ 15 GHz / One rectangular port @ 80 GHz. Interfaces are customized according to Customer's specifications
Polarization	Linear Dual pol. (V / H) @ 15 GHz, Linear Single pol. @ 80 GHz.

Mechanical Characteristics

Pole	50 ÷ 114 mm
Elevation-fine adjustment	± 15°
Azimuth-fine adjustment	± 20°
Side struts, included	0
Side struts, optional	0
Net weight	18 Kg
Radome	Rigid Plastic
Wind velocity Operational (1,2)	45 m/s
Wind velocity Survival Rating (1,3)	70 m/s

(1) maximum wind ratings apply at the antenna installed on a 114mm dia. pole

(2) antenna deflection < 0.3 times the -3 dB beam width

(3) wind speed applicable to the antenna with 25mm of radial ice



Antenna Dimensions^(*) (pole mount included)

Height	652 mm
Width (**)	857 mm
Depth	405 mm

(*) referred to a 114 mm dia. pole

(**) including optional extension bracket for ODUs direct mount

