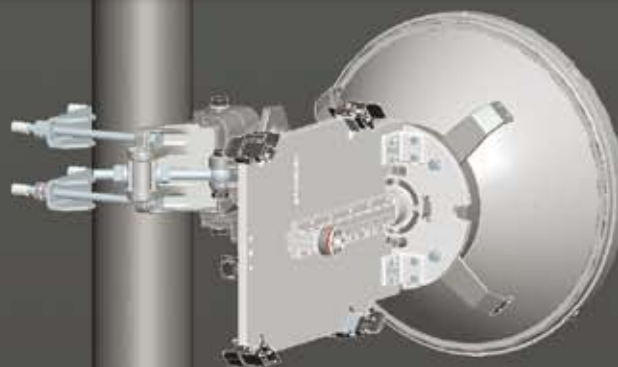




# E-Band

## Product Portfolio

Antennas, OMT, Hybrid Couplers





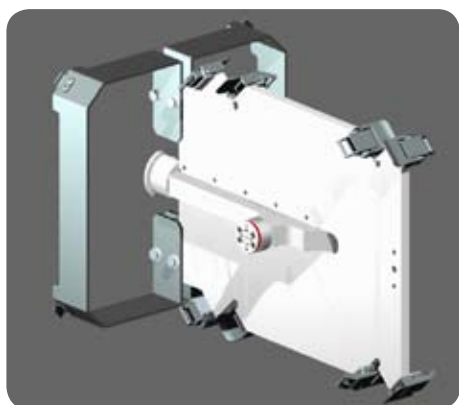
### E-Band Antenna (frequency range 71-86 GHz)

Diameter	30 cm (1 ft)	60 cm (2 ft)
Gain [dBi] (low / mid / top)	43.0 / 43.5 / 44.0	49.8 / 50.0 / 50.2
V.S.W.R. / Return Loss [dB]	1.5:1 / 14	
HPBW [deg]	1.0	0.5
F/B [dB]	61	68
XPD [dB]	27	
Electrical Compliance	ETSI 302 217 Class 3	
EL / AZ fine adjustment [deg]	± 15 / ± 20	
Net Weight [Kg]	9.0	12.3
Overall dimensions [mm] (H/W/D)	385 / 546 / 153	652 / 680 / 271
Wind Operational / Survival [m/s]	45 / 70	



### E-Band OMT for Integrated Dual Pol. (frequency range 71-86 GHz)

Insertion Loss [dB]	1.3
V.S.W.R. / Return Loss [dB]	1.5:1 / 14
Inter-port Isolation [dB]	30 dB
Net Weight [Kg]	4.3
Overall dimensions [mm] (H/W/D)	247 / 247 / 371



### E-Band Couplers (frequency range 71-86 GHz)

Nominal Coupling [dB]	-3 dB (Symmetrical)	-6 dB (Asymmetrical)
Insertion Loss [dB] (main / stand-by)	4.5 / 4.5	2.6 / 8.0
V.S.W.R. / Return Loss [dB]	1.35:1 / 16.5	
Inter-port Isolation [dB]	18	
Net Weight [Kg]	4.3	
Overall dimensions [mm] (H/W/D)	247 / 247 / 371	

