

# Antenna HP 20-100 S

&nbsp;Antenna HP 20-100 S



## ▾ General Specifications

Diameter	
Standard Colour	
Shroud	
Antenna Input	
Polarization	Single

## ▾ Mechanical Characteristics

Pole	
Elevation-fine adjustment	
Azimuth-fine adjustment	
Side struts, included	
Side struts, optional	
Net weight	
Radome	
Wind velocity Operational	
Wind velocity Survival	
Wind deflection	
(with a wind velocity of m/s)	Specified wind deflection applies for mm dia mounting pipe only

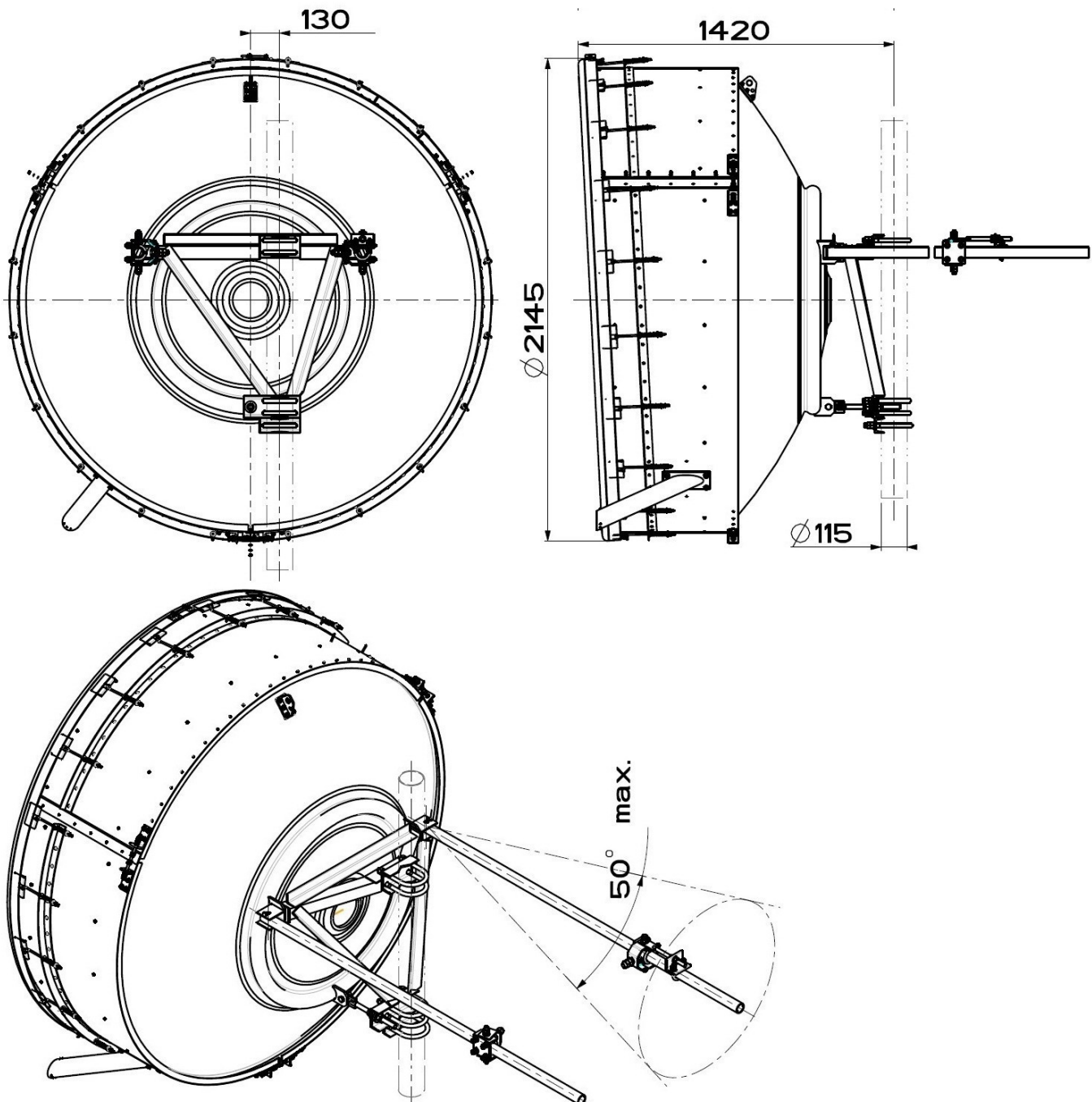
## ↙ Antenna Dimensions

(pole mount included)

Height

Width

Depth



## Wind forces at wind velocity survival rating and with 25 mm (1") ice load

---

Axial force

Side force

Twisting Moment

---

## Electrical Characteristics

---

Frequency range

Gain, low band

Gain, mid band

Gain, top band

Return Loss

VSWR

HPBW

Front to back ratio

Isolation

XPD

Electrical Compliance

---

## Shipping Information

---

Gross weight

Height

Depth

Width

---

