

# Antenna HP 20-059 S

&nbsp;Antenna HP 20-059 S



## ▾ General Specifications

Diameter	2.0 m
Standard Colour	RAL 7030
Shroud	Standard profile
Antenna Input	Interface for IEC waveguide R 70
Polarization	Single

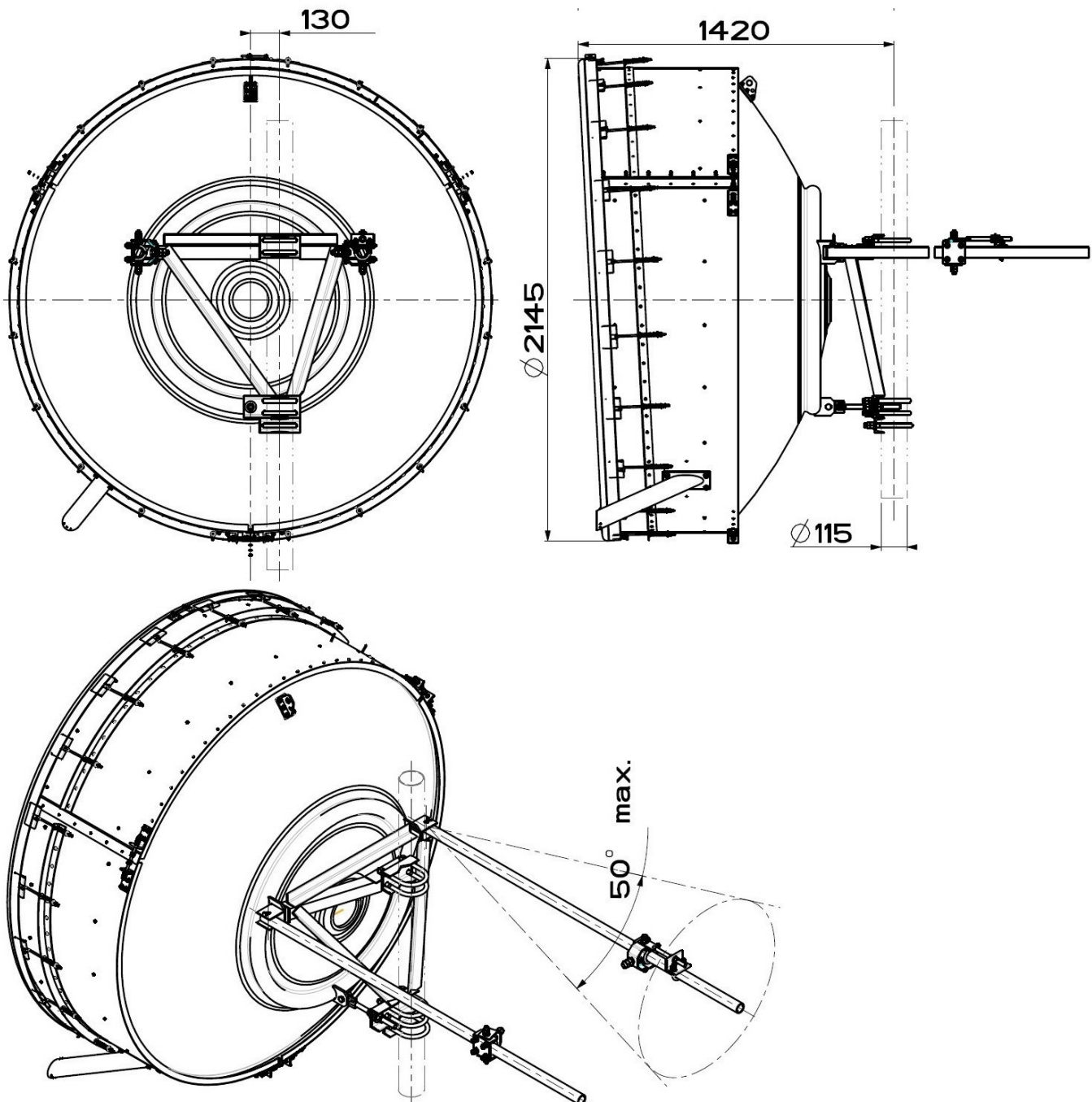
## ▾ Mechanical Characteristics

Pole	115 mm
Elevation-fine adjustment	±5°
Azimuth-fine adjustment	±5°
Side struts, included	2
Side struts, optional	0
Net weight	211 Kg
Radome	Complan fabric
Wind velocity Operational	30 m/s
Wind velocity Survival	55 m/s
Wind deflection	<0.3 times the -3 dB beamwidth
(with a wind velocity of 30 m/s)	Specified wind deflection applies for 115 mm dia mounting pipe only

## Antenna Dimensions

(pole mount included)

Height	2145 mm
Width	2145 mm
Depth	1420 mm



## ↘ Wind forces at wind velocity survival rating and with 25 mm (1") ice load

Axial force	8720 N
Side force	4320 N
Twisting Moment	3280 N?m

Maximum forces exerted on a supporting structure as a result of wind (survival rating) from the most critical direction for each parameter. These values may not occur simultaneously. All forces are referenced to the mounting pipe (diameter 115 mm)

## ↘ Electrical Characteristics

Frequency range	
Gain, low band	
Gain, mid band	
Gain, top band	
Return Loss	
VSWR	
HPBW	
Front to back ratio	
Isolation	
XPD	
Electrical Compliance	

## ↘ Shipping Information

Gross weight	
Height	
Depth	
Width	

