

Antenna HP 20-044 D

 Antenna HP 20-044 D



▾ General Specifications

Diameter	2.0 m
Standard Colour	RAL 7030
Shroud	High profile
Antenna Input	Interface for IEC waveguide R 48
Polarization	Dual

▾ Mechanical Characteristics

Pole	115
Elevation-fine adjustment	$\pm 5^\circ$
Azimuth-fine adjustment	$\pm 5^\circ$
Side struts, included	2
Side struts, optional	0
Net weight	220 Kg
Radome	Complan fabric
Wind velocity Operational	30 m/s
Wind velocity Survival	55 m/s
Wind deflection	<0.3 times the -3 dB beamwidth

(with a wind velocity of 30 m/s m/s)Specified wind deflection applies for 115 mm dia mounting pipe only

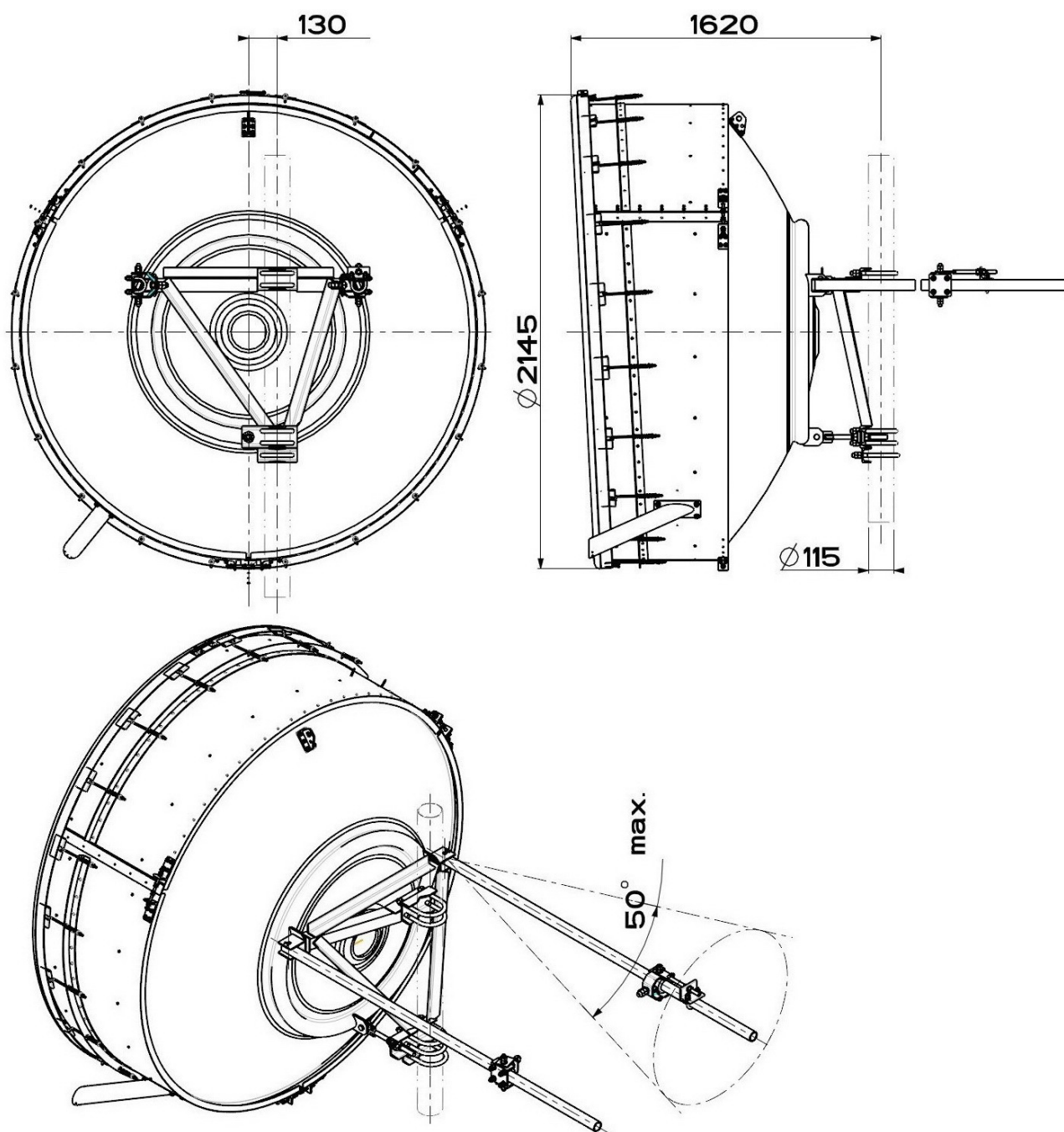
↙ Antenna Dimensions

(pole mount included)

Height 2145 mm

Width 2145 mm

Depth 1620 mm



↘ Wind forces at wind velocity survival rating and with 25 mm (1") ice load

Axial force	8720 N
Side force	4320 N
Twisting Moment	3280 N?m

Maximum forces exerted on a supporting structure as a result of wind (survival rating) from the most critical direction for each parameter. These values may not occur simultaneously. All forces are referenced to the mounting pipe (diameter 115 mm)

↘ Electrical Characteristics

Frequency range

Gain, low band

Gain, mid band

Gain, top band

Return Loss

VSWR

HPBW

Front to back ratio

Isolation

XPD

Electrical Compliance

↘ Shipping Information

Gross weight

Height

Depth

Width

