

# Antenna HP 12-044 S

&nbsp;Antenna HP 12-044 S



## ▾ General Specifications

Diameter	1.2 m
Standard Colour	RAL 7035
Shroud	High profile
Antenna Input	Interface for IEC waveguide R 48
Polarization	Single

## ▾ Mechanical Characteristics

Pole	115 mm
Elevation-fine adjustment	±15°
Azimuth-fine adjustment	±10°
Side struts, included	1
Side struts, optional	1
Net weight	61 Kg
Radome	Rigid plastic
Wind velocity Operational	45 m/s
Wind velocity Survival	70 m/s
Wind deflection	<0.3 times the -3 dB beamwidth
(with a wind velocity of 45 m/s)	Specified wind deflection applies for 114 mm dia mounting pipe only

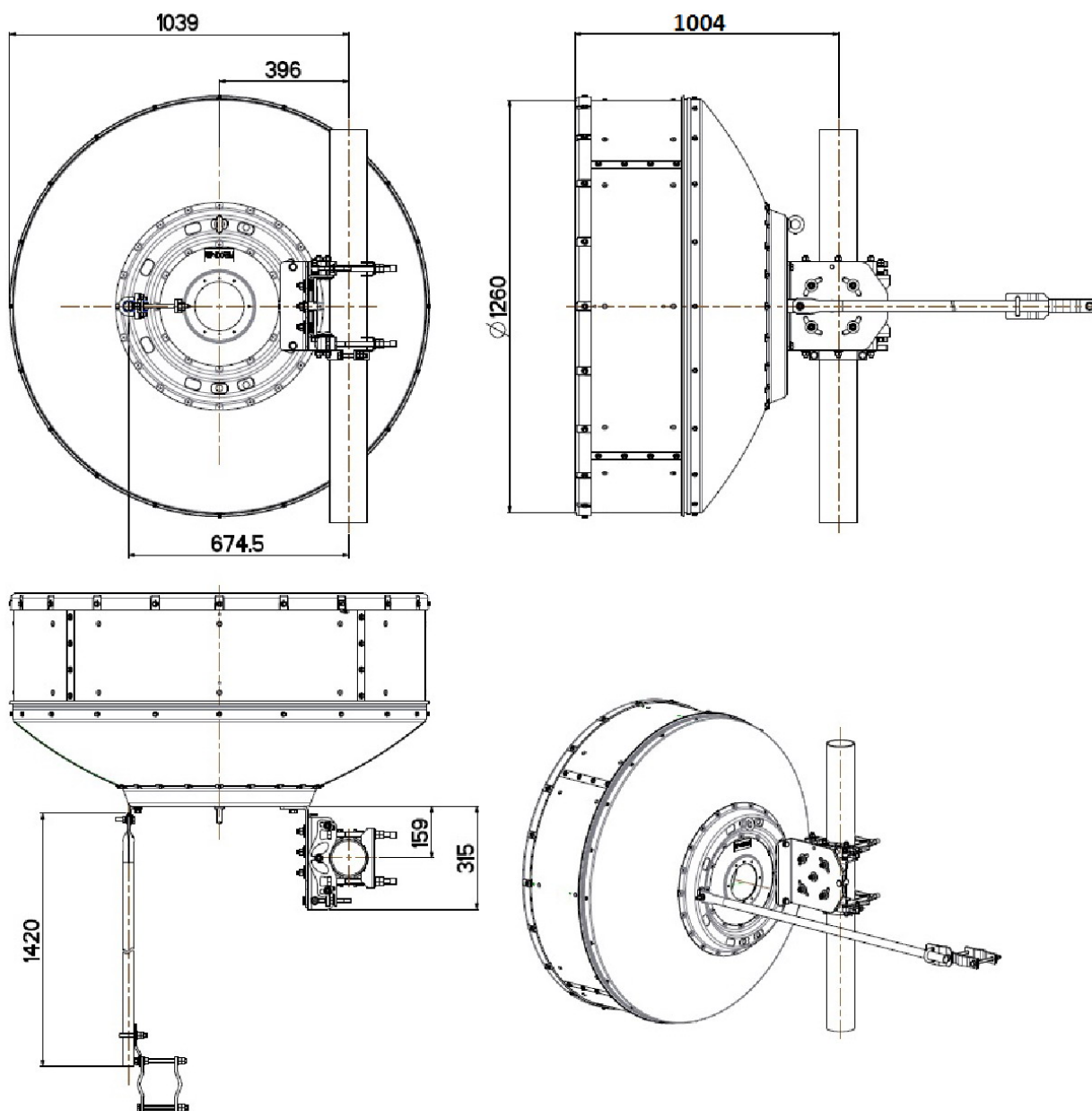
## ↙ Antenna Dimensions

(pole mount included)

Height 1260.0 mm

Width 1260.0 mm

Depth 1004.0 mm



## ↘ Wind forces at wind velocity survival rating and with 25 mm (1") ice load

Axial force	5270 N
Side force	2610 N
Twisting Moment	2110 N?m

Maximum forces exerted on a supporting structure as a result of wind (survival rating) from the most critical direction for each parameter. These values may not occur simultaneously. All forces are referred to the mounting pipe of 115 mm diameter.

## ↘ Electrical Characteristics

Frequency range	4.4-5 GHz
Gain, low band	32.2 dBi
Gain, mid band	32.7 dBi
Gain, top band	33.1 dBi
Return Loss	26.4 dB
VSWR	1.1
HPBW	4.0°
Front to back ratio	59.0 dB
Isolation	NA
XPD	30.0 dB
Electrical Compliance	Class 3

## ↘ Shipping Information

Gross weight	118 Kg
Height	940 mm
Depth	1460 mm
Width	1400 mm

