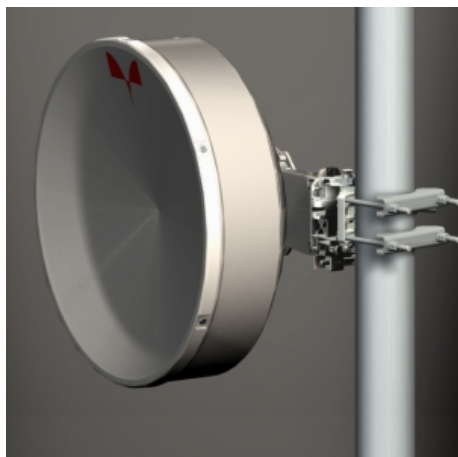


Antenna THP 06 100 D WB

Antenna THP 06 100 D WB



General Specifications

Diameter	0.6m
Standard Colour	RAL 7035
Shroud	Low profile
Antenna Input	Interface for IEC waveguide R-100 (IEC R-120 on request)
Polarization	Dual

Mechanical Characteristics

Pole	50-115 mm
Elevation-fine adjustment	+/- 15 deg
Azimuth-fine adjustment	+/- 20 deg
Side struts, included	0
Side struts, optional	0
Net weight	12.5 Kg
Radome	Rigid plastic
Wind velocity Operational	180 Km/h
Wind velocity Survival	250 Km/h
Wind deflection	<0.3 times the -3 dB beam width
(with a wind velocity of 45 m/s)	Specified wind deflection applies for 115 mm dia mounting pipe only

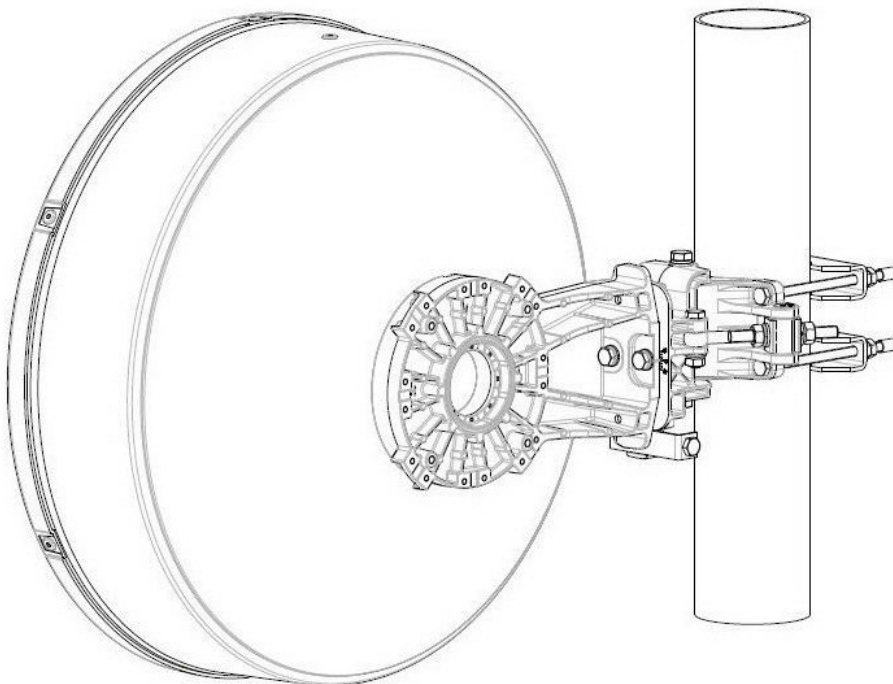
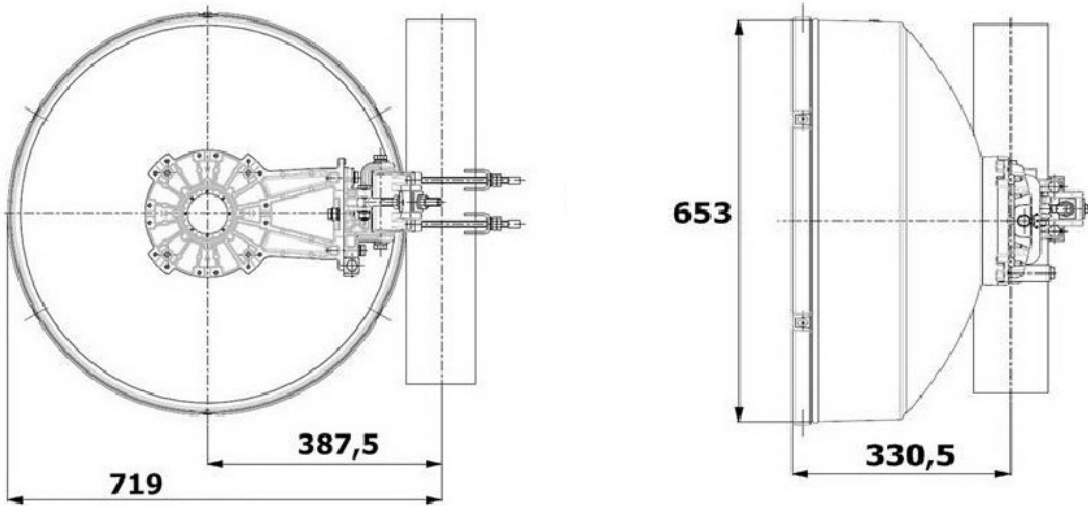
Antenna Dimensions

(pole mount included)

Height 653.0 mm

Width 719.0 mm

Depth 330.5 mm



↘ Wind forces at wind velocity survival rating and with 25 mm (1") ice load

Axial force	1444 N
Side force	715 N
Twisting Moment	527 N M

Maximum forces exerted on a supporting structure as a result of wind (survival rating) from the most critical direction for each parameter. These values may not occur simultaneously. All force are referred to the mounting pipe of 115 mm diameter.

↘ Electrical Characteristics

Frequency range	10 - 11.7 GHz
Gain, low band	33.7 dBi
Gain, mid band	34.3 dBi
Gain, top band	35.0 dBi
Return Loss	17.7 dB
VSWR	1.3
HPBW	3.4 deg
Front to back ratio	60.0 dB
Isolation	35 dB
XPD	30.0 dB
Electrical Compliance	ETSI 302 217 Class 3 US FCC Part 101.115B

↘ Shipping Information

Gross weight	18 Kg
Height	520 mm
Depth	750 mm
Width	750 mm

