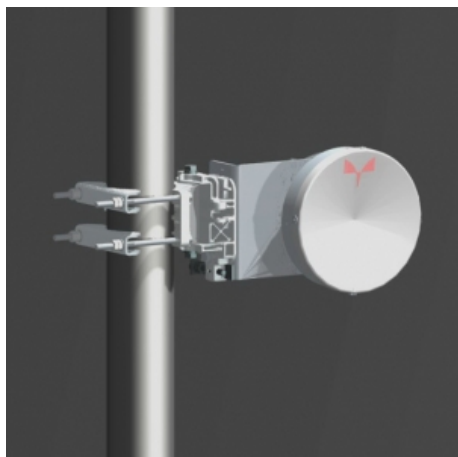


Antenna THP 02 370 S

Antenna THP 02 370 S Antenna THP 02 370 S



▾ General Specifications

Diameter	0.2m
Standard Colour	RAL 7035
Shroud	Low profile
Antenna Input	Interface for IEC waveguide R 320
Polarization	Single

▾ Mechanical Characteristics

Pole	50÷115 mm
Elevation-fine adjustment	+/- 15 deg
Azimuth-fine adjustment	+/- 20 deg
Side struts, included	0
Side struts, optional	0
Net weight	6 Kg
Radome	Rigid plastic
Wind velocity Operational	30 m/s
Wind velocity Survival	70 m/s
Wind deflection	<0.3 times the -3 dB beam width
(with a wind velocity of 30 m/s)	Specified wind deflection applies for 115 mm dia mounting pipe only

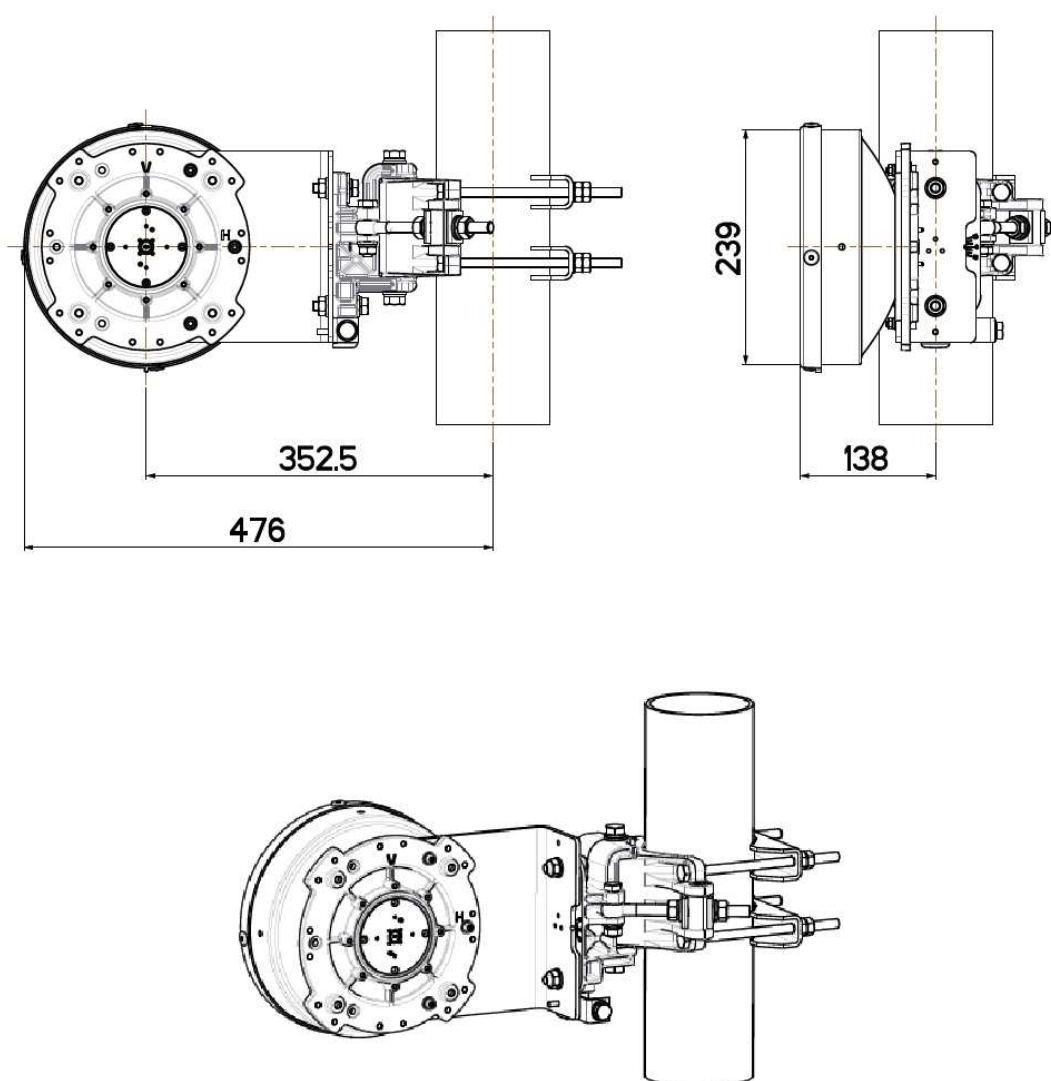
Antenna Dimensions

(pole mount included)

Height 239 mm

Width 476 mm

Depth 138 mm



↘ Wind forces at wind velocity survival rating and with 25 mm (1") ice load

Axial force	209 N
Side force	104 N
Twisting Moment	70 N m

Maximum forces exerted on a supporting structure as a result of wind (survival rating) from the most critical direction for each parameter. These values may not occur simultaneously. All forces are referred to the mounting pipe of 115 mm diameter.

↘ Electrical Characteristics

Frequency range	37.0 - 40.0 GHz
Gain, low band	34.5 dBi
Gain, mid band	34.7 dBi
Gain, top band	34.9 dBi
Return Loss	17.7 dBi
VSWR	1.3
HPBW	2.8°
Front to back ratio	60 dB
Isolation	NA
XPD	30 dB
Electrical Compliance	Class 3B
	ETSI 302 217

↘ Shipping Information

Gross weight	8 Kg
Height	239 mm
Depth	455 mm
Width	154 mm

