

Antenna THP 03 177 D

Antenna THP 03 177 D



General Specifications

Diameter	0.3m
Standard Colour	RAL 7035
Shroud	Low profile
Antenna Input	Interface for IEC waveguide R 220
Polarization	Dual

Mechanical Characteristics

Pole	50-115 mm
Elevation-fine adjustment	+/- 15 deg
Azimuth-fine adjustment	+/- 20 deg
Side struts, included	0
Side struts, optional	0
Net weight	9 Kg
Radome	Rigid plastic
Wind velocity Operational	45 m/s
Wind velocity Survival	70 m/s
Wind deflection	<0.3 times the -3 dB beamwidth
(with a wind velocity of 45 m/s)	Specified wind deflection applies for 115 mm dia mounting pipe only

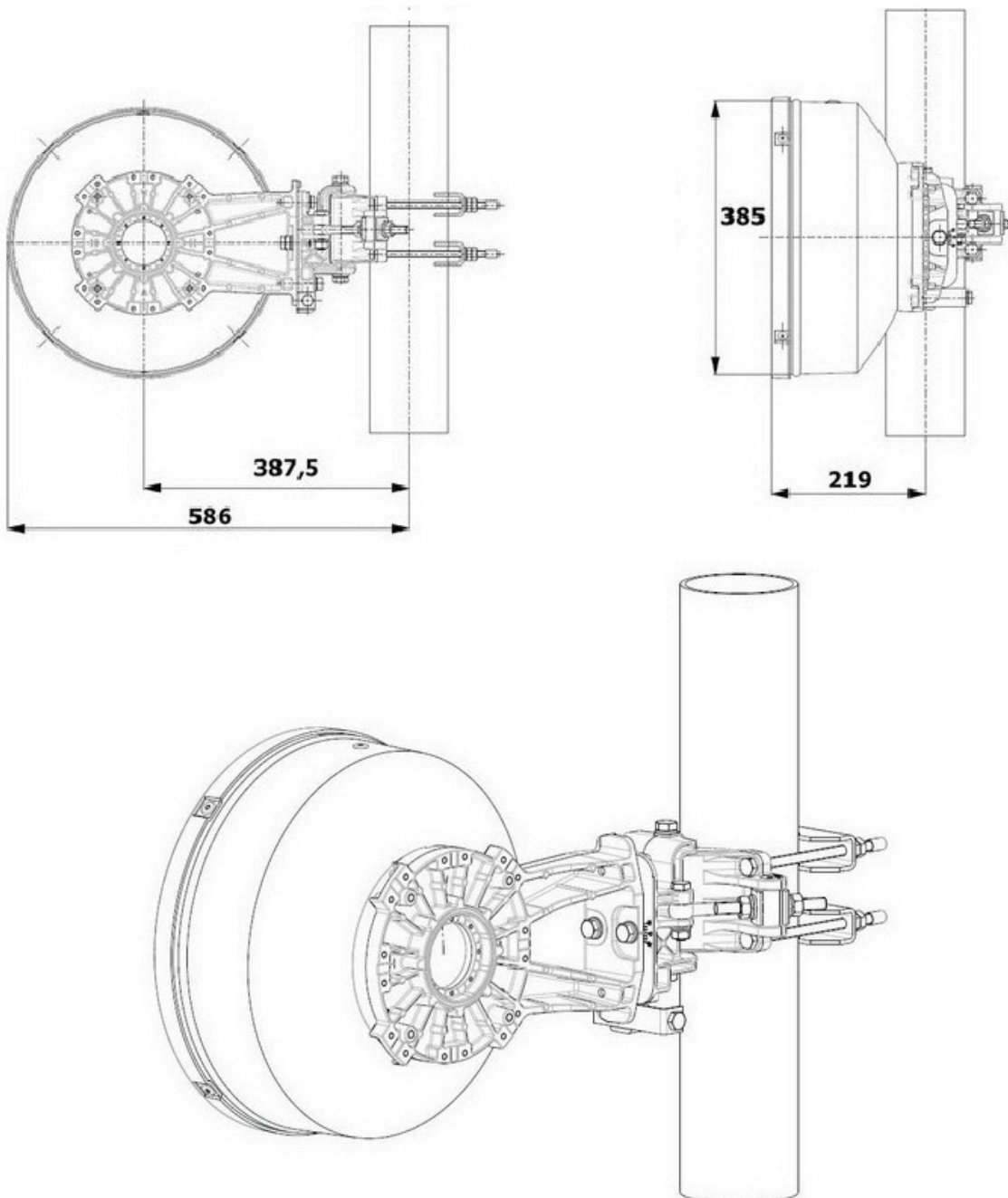
↙ Antenna Dimensions

(pole mount included)

Height 385 mm

Width 586 mm

Depth 219 mm



↘ Wind forces at wind velocity survival rating and with 25 mm (1") ice load

Axial force	472 N
Side force	234 N
Twisting Moment	167 N m

Maximum forces exerted on a supporting structure as a result of wind (survival rating) from the most critical direction for each parameter. These values may not occur simultaneously. All forces are referred to the mounting pipe of 115 mm diameter.

↘ Electrical Characteristics

Frequency range	17.7 - 19.7 GHz
Gain, low band	33.9 dBi
Gain, mid band	34.3 dBi
Gain, top band	34.8 dBi
Return Loss	17.7 dB
VSWR	1.3
HPBW	3.3 deg
Front to back ratio	58 dB
Isolation	35 dB
XPD	30 dB
Electrical Compliance	ETSI 302 217 Class 2; FCC 101.115B2

↘ Shipping Information

Gross weight	12 Kg
Height	400 mm
Depth	400 mm
Width	600 mm

