

Antenna THP12-177S

Antenna THP12-177S



General Specifications

Diameter	1.2m
Standard Colour	RAL 7035
Shroud	Low profile
Antenna Input	Interface for IEC waveguide R220
Polarization	Single

Mechanical Characteristics

Pole	115 mm
Elevation-fine adjustment	+/- 15 deg
Azimuth-fine adjustment	+/- 10 deg
Side struts, included	1
Side struts, optional	0
Net weight	50 Kg
Radome	Rigid plastic
Wind velocity Operational	180 Km/h (200 Km/h with second additional side strut)
Wind velocity Survival	250 Km/h
Wind deflection	<0.3 times the -3 dB beam width
(with a wind velocity of 45 m/s)	Specified wind deflection applies for 115 mm dia mounting pipe only

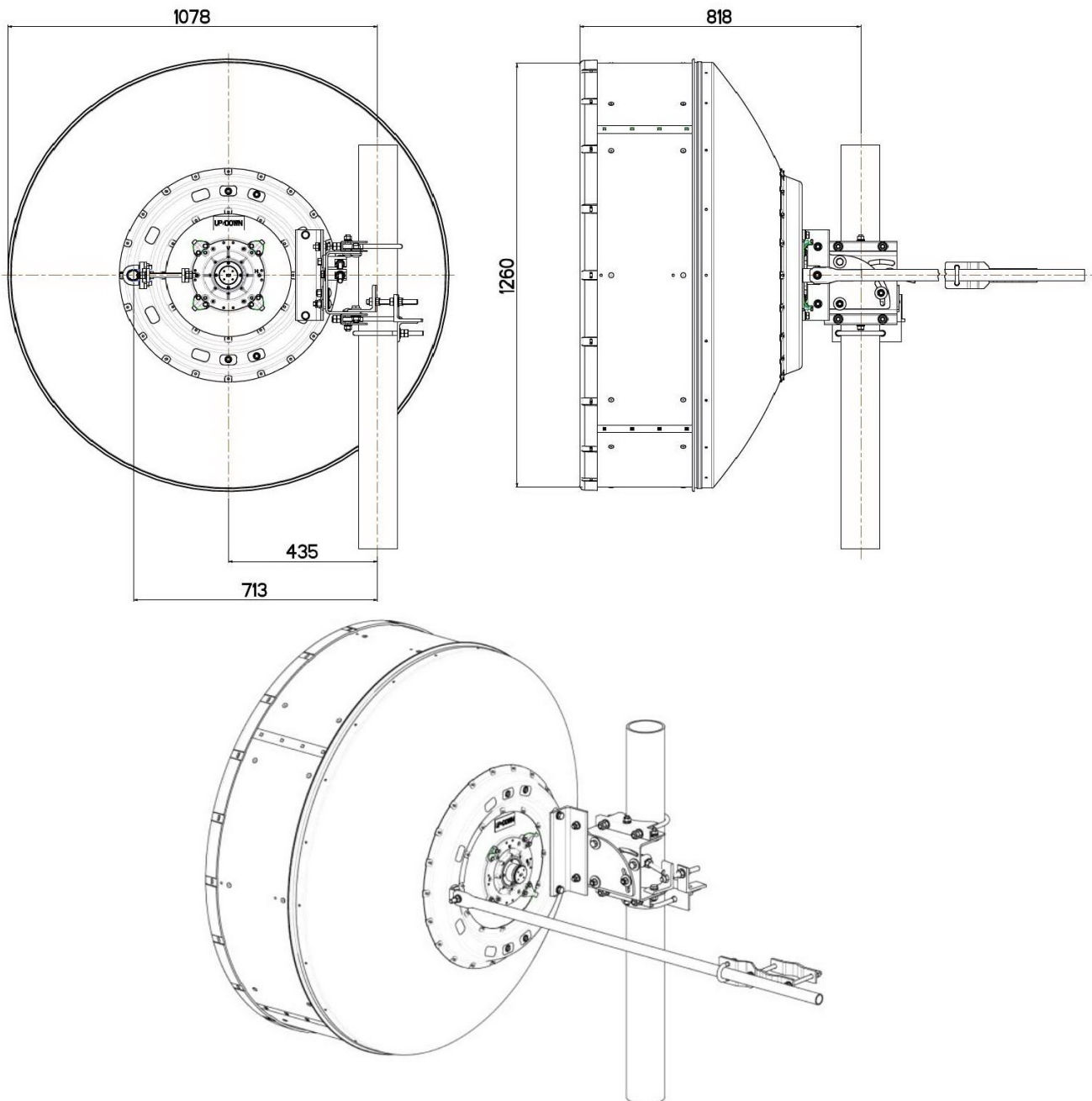
Antenna Dimensions

(pole mount included)

Height 1260 mm

Width 1260 mm

Depth 818 mm



↘ Wind forces at wind velocity survival rating and with 25 mm (1") ice load

Axial force	5270 N
Side force	2610 N
Twisting Moment	2110 N m

Maximum forces exerted on a supporting structure as a result of wind (survival rating) from the most critical direction for each parameter. These values may not occur simultaneously. All forces are referred to the mounting pipe of 115 mm diameter.

↘ Electrical Characteristics

Frequency range	17.7 - 19.7 GHz
Gain, low band	44.3 dBi
Gain, mid band	45.0 dBi
Gain, top band	45.4 dBi
Return Loss	17.7 dB
VSWR	1.3
HPBW	0.9 deg
Front to back ratio	73.0 dB
Isolation	NA
XPD	30.0 dB
Electrical Compliance	ETSI 302 217 Class 3 ; Anatel Ato 932 Class 3 US FCC Part 101.115A

↘ Shipping Information

Gross weight	78 Kg
Height	1530 mm
Depth	480 mm
Width	1380 mm

