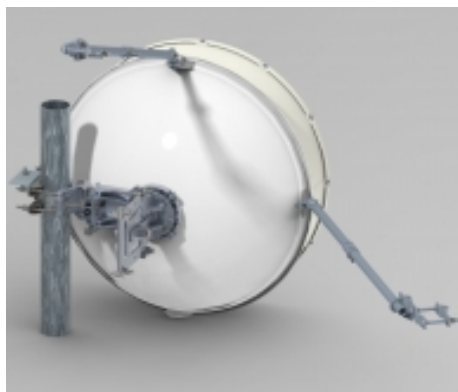


# FIA 10-710DW

E-band 3.3ft (100cm) antenna



## ▾ General Specifications

Diameter	1m
Standard Colour	RAL 7035
Shroud	Low Profile - Deep dish type
Antenna Input	Integrated, according to Customer's specifications
Polarization	Dual

## ▾ Mechanical Characteristics

Pole	115 mm
Elevation-fine adjustment	+/- 15 deg
Azimuth-fine adjustment	+/- 20 deg
Side struts, included	3
Side struts, optional	0
Net weight	41.5 Kg
Radome	Rigid Plastic
Wind velocity Operational	30 m/s
Wind velocity Survival	70 m/s
Wind deflection	< 0.3 times the -3 dB beam width
(with a wind velocity of 30 m/s)	Specified wind deflection applies for 115 mm dia mounting pipe only

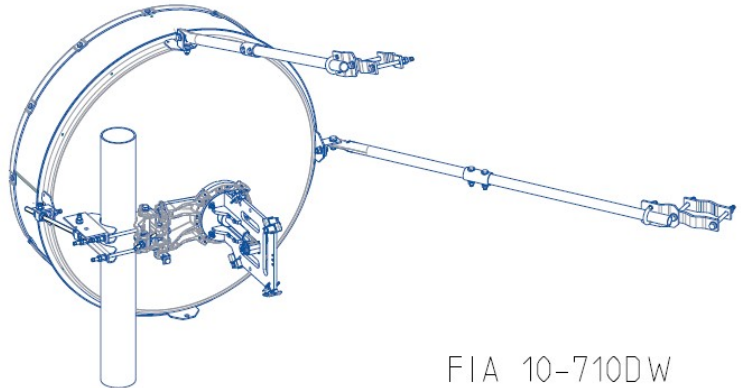
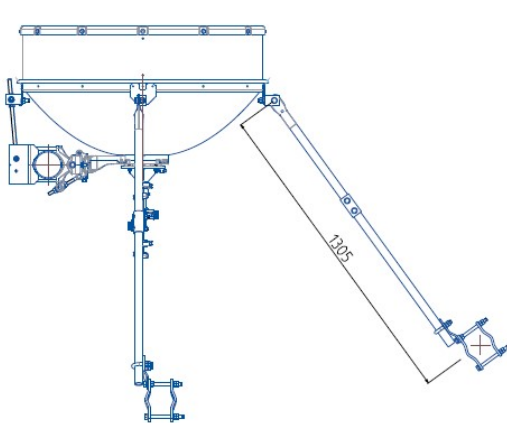
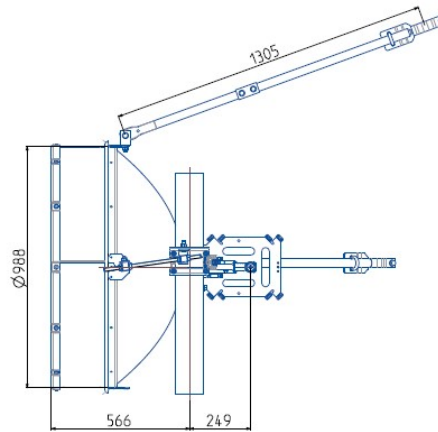
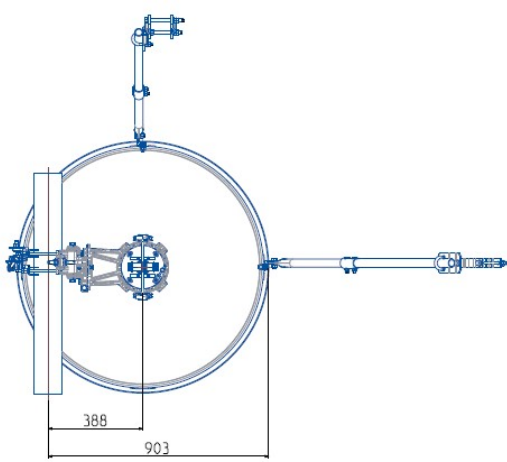
## ↙ Antenna Dimensions

(pole mount included)

Height 988 mm

Width 988 mm

Depth 815 mm



FIA 10-710DW

## ↘ Wind forces at wind velocity survival rating and with 25 mm (1") ice load

Axial force	3227 N
Side force	1598 N
Twisting Moment	1217 N*m

Maximum forces exerted on a supporting structure as a result of wind (survival rating) from the most critical direction for each parameter. These values may not occur simultaneously. All forces are referred to the mounting pipe of 115 mm diameter

## ↘ Electrical Characteristics

Frequency range	71-86 GHz
Gain, low band	50.5 dBi
Gain, mid band	51 dBi
Gain, top band	51.5 dBi
Return Loss	14 dB
VSWR	1.5
HPBW	0.25 deg
Front to back ratio	72 dB
Isolation	30 dB
XPD	30 dB
Electrical Compliance	ETSI 302 217 Class 3 US FCC Part 101.115

## ↘ Shipping Information

Gross weight	54 Kg
Height	83 cm
Depth	113 cm
Width	114 cm

