

Antenna HP 18-044D

Antenna HP 18-044D



▾ General Specifications

Diameter	1.8m
Standard Colour	RAL 7035
Shroud	High profile
Antenna Input	Interface for IEC waveguide R48
Polarization	Dual

▾ Mechanical Characteristics

Pole	115mm
Elevation-fine adjustment	+/-15 deg
Azimuth-fine adjustment	+/-10 deg
Side struts, included	1
Side struts, optional	1
Net weight	95 Kg
Radome	Rigid plastic
Wind velocity Operational	45 m/s
Wind velocity Survival	70 m/s
Wind deflection	<0.3 times the -3 dB beamwidth
(with a wind velocity of 45 m/s)	Specified wind deflection applies for 115mm mm dia mounting pipe only

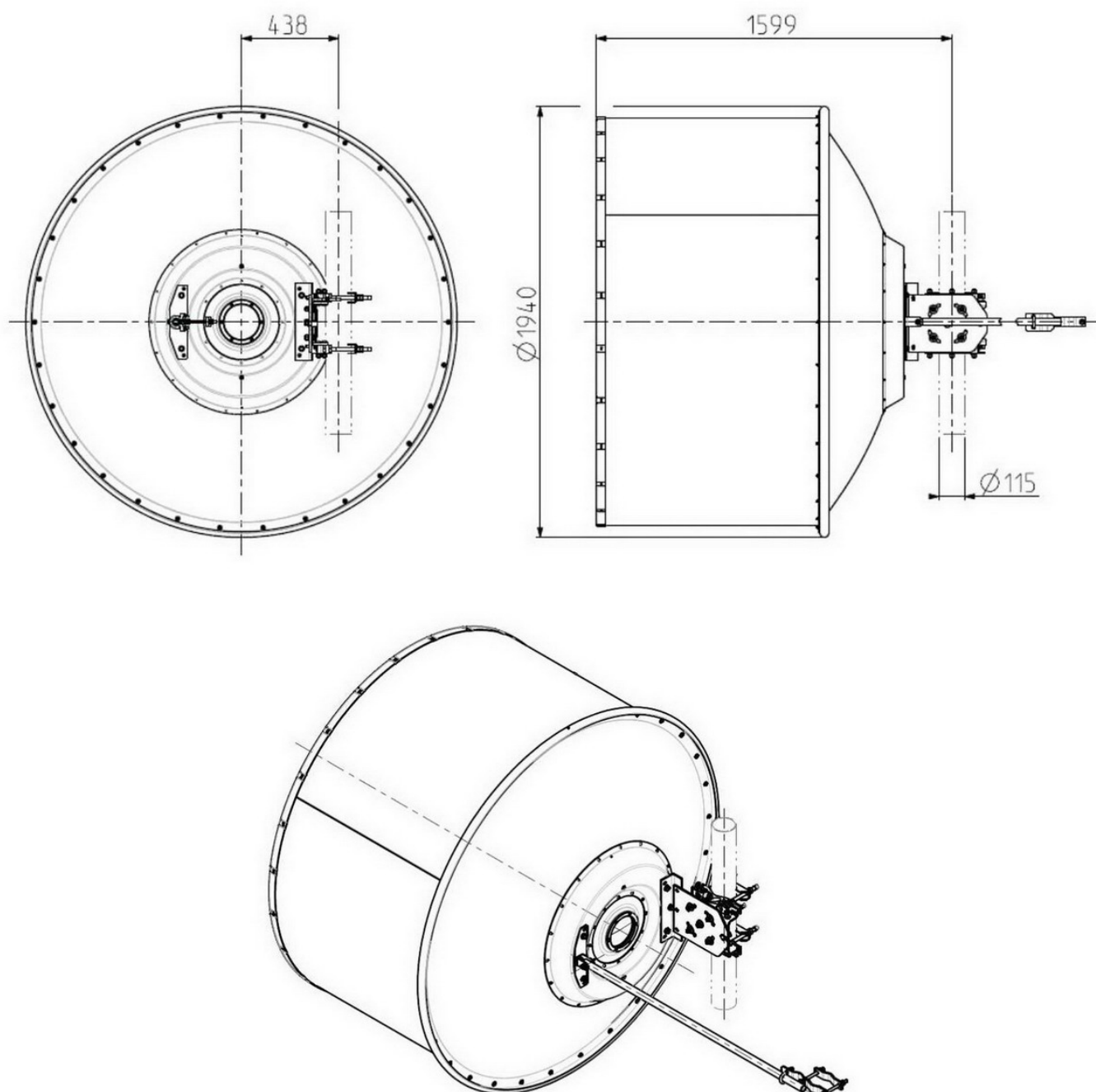
Antenna Dimensions

(pole mount included)

Height 1940 mm

Width 1940 mm

Depth 1599 mm



↘ Wind forces at wind velocity survival rating and with 25 mm (1") ice load

Axial force	11094 N
Side force	5495 N
Twisting Moment	5550 N*m

Maximum forces exerted on a supporting structure as a result of wind (survival rating) from the most critical direction for each parameter. These values may not occur simultaneously. All forces referenced to the mounting pipe (diameter 115 mm).

↘ Electrical Characteristics

Frequency range	4.4-5 GHz
Gain, low band	35.5 dBi
Gain, mid band	36.0 dBi
Gain, top band	36.4 dBi
Return Loss	26.4 dB
VSWR	1.1
HPBW	2.4 deg
Front to back ratio	64 dB
Isolation	35 dB
XPD	30 dB
Electrical Compliance	ETSI 302 217 Class 3

↘ Shipping Information

Gross weight	155 Kg
Height	2150 mm
Depth	2080 mm
Width	680 mm

