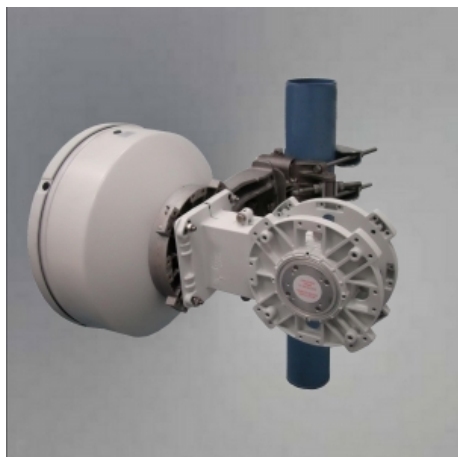


# Antenna THP 03 405 DI



## ▾ General Specifications

Diameter	0.3m
Standard Colour	RAL 7035
Shroud	Rigid plastic
Antenna Input	Interface for IEC waveguide R 500 (R 400 upon request)
Polarization	Dual

## ▾ Mechanical Characteristics

Pole	50-115 mm
Elevation-fine adjustment	+/- 15 deg
Azimuth-fine adjustment	+/- 20 deg
Side struts, included	0
Side struts, optional	0
Net weight	13.5 Kg
Radome	Rigid plastic
Wind velocity Operational	45 m/s
Wind velocity Survival	70 m/s
Wind deflection	<0.3 times the -3 dB beam width
(with a wind velocity of 45 m/s)	Specified wind deflection applies for 115 mm dia mounting pipe only

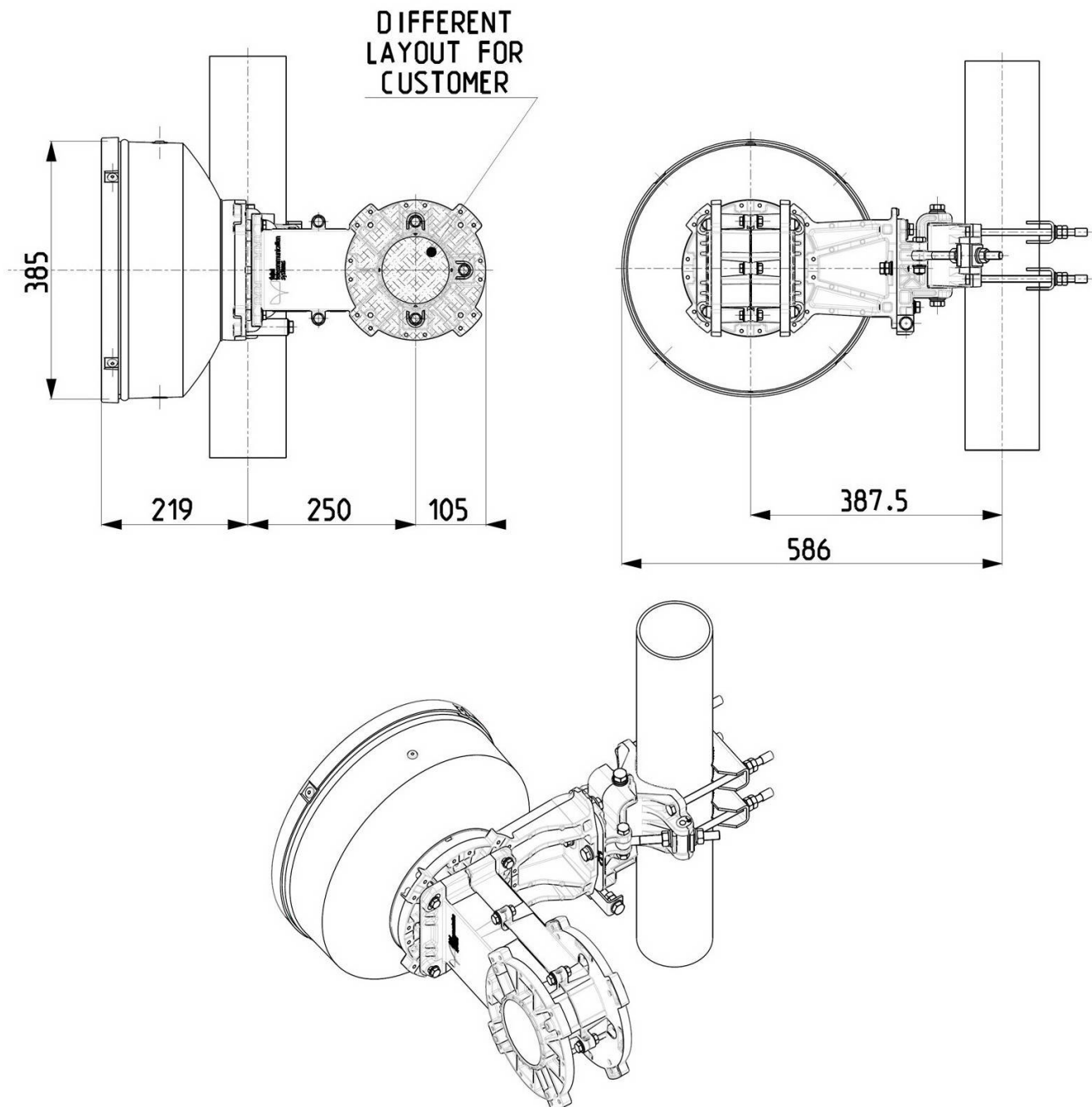
## Antenna Dimensions

(pole mount included)

Height 385.0 mm

Width 586.0 mm

Depth 539.0 mm



## ↘ Wind forces at wind velocity survival rating and with 25 mm (1") ice load

Axial force	472 N
Side force	237 N
Twisting Moment	167 N?m

Maximum forces exerted on a supporting structure as a result of wind (survival rating) from the most critical direction for each parameter. These values may not occur simultaneously. All forces are referred to the mounting pipe of 115 mm diameter.

## ↘ Electrical Characteristics

Frequency range	40.5 - 43.5 GHz
Gain, low band	40.0 dBi
Gain, mid band	40.4 dBi
Gain, top band	40.8 dBi
Return Loss	17.7 dB
VSWR	1.3
HPBW	1.4°
Front to back ratio	63 dB
Isolation	35 dB
XPD	30 dB
Electrical Compliance	Class 3B
	ETSI 302 217

## ↘ Shipping Information

Gross weight	16 Kg
Height	400 mm
Depth	400 mm
Width	600 mm

