

# Antenna THP 18 100 D WB

Antenna THP 18 100 D WB



## General Specifications

Diameter	1.8m
Standard Colour	RAL 7035
Shroud	Low profile
Antenna Input	Interface for IEC waveguide R 100
Polarization	Dual

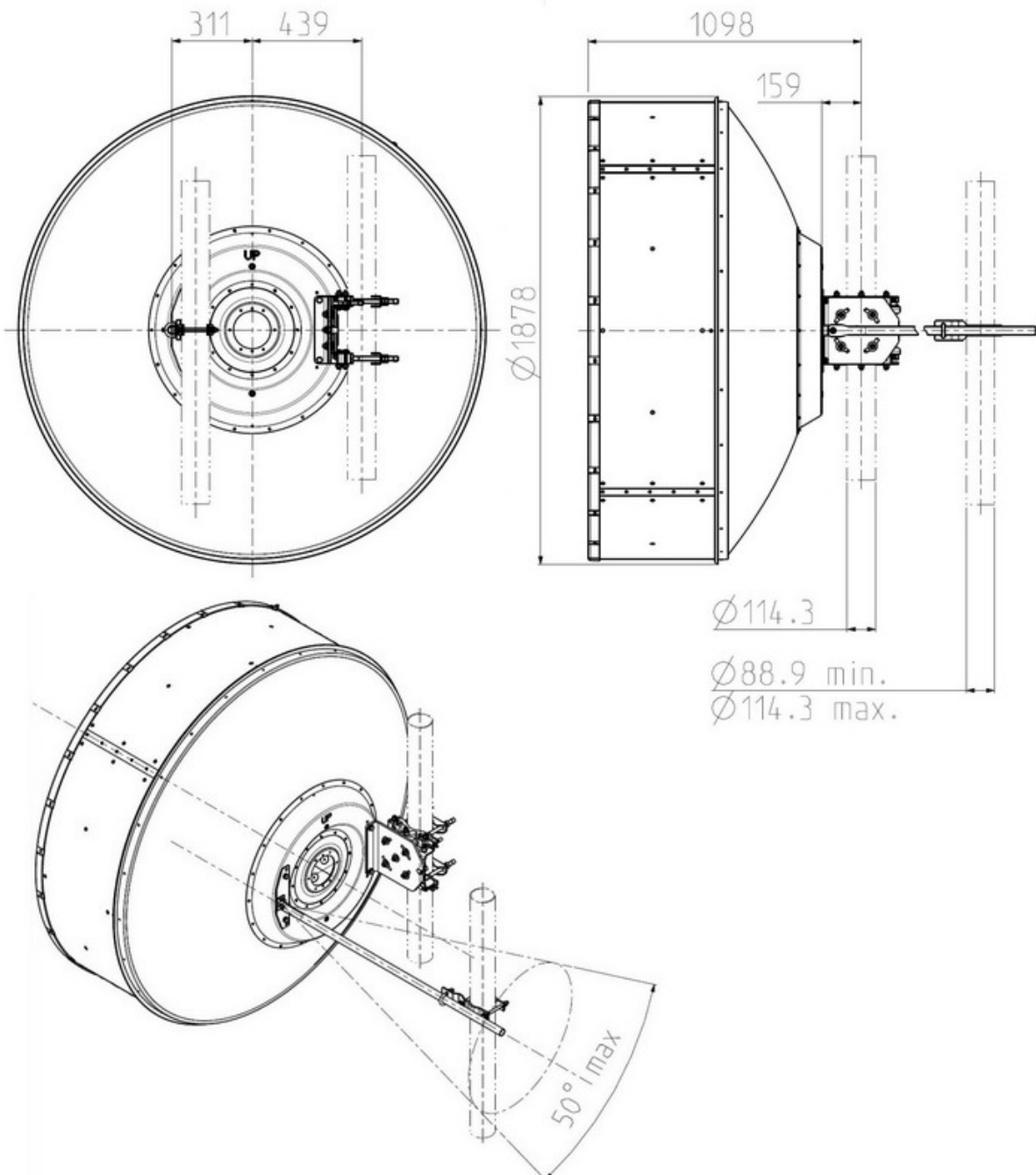
## Mechanical Characteristics

Pole	115 mm
Elevation-fine adjustment	+/- 15 deg
Azimuth-fine adjustment	+/- 10 deg
Side struts, included	1
Side struts, optional	1
Net weight	85 Kg
Radome	Rigid plastic
Wind velocity Operational	180 Km/h
Wind velocity Survival	250 Km/h
Wind deflection	<0.3 times the -3 dB beamwidth
(with a wind velocity of 45 m/s)	Specified wind deflection applies for 115 mm dia mounting pipe only

## Antenna Dimensions

(pole mount included)

Height	1880 mm
Width	1880 mm
Depth	1098 mm



## ↘ Wind forces at wind velocity survival rating and with 25 mm (1") ice load

Axial force	11094 N
Side force	5495 N
Twisting Moment	5550 N*m

Maximum forces exerted on a supporting structure as a result of wind (survival rating) from the most critical direction for each parameter. These values may not occur simultaneously. All forces are referenced to the mounting pipe (diameter 115 mm)

## ↘ Electrical Characteristics

Frequency range	10 - 11.7 GHz
Gain, low band	42.3 dBi
Gain, mid band	43.2 dBi
Gain, top band	44.0 dBi
Return Loss	17.7 dB
VSWR	1.3
HPBW	1.1 deg
Front to back ratio	71 dB
Isolation	35 dB
XPD	30 dB
Electrical Compliance	ETSI 302 217 Class 3 US FCC Part 101.115B

## ↘ Shipping Information

Gross weight	130 Kg
Height	2090 mm
Depth	600 mm
Width	1970 mm

