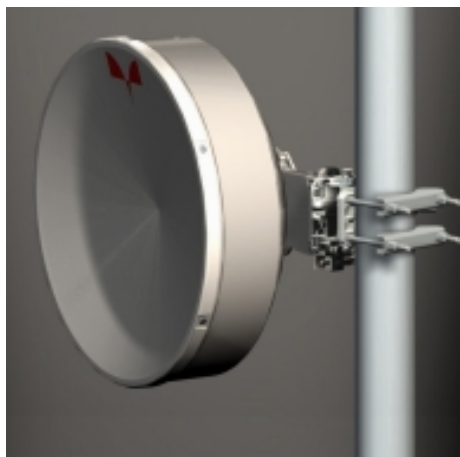


# Antenna THP 06 059 D WB

Antenna THP 06 059 D WB



## ▾ General Specifications

Diameter	0.6m
Standard Colour	RAL 7035
Shroud	Low profile
Antenna Input	Interface for IEC waveguide R 70
Polarization	Dual

## ▾ Mechanical Characteristics

Pole	50-115 mm
Elevation-fine adjustment	+/- 15 deg
Azimuth-fine adjustment	+/- 20 deg
Side struts, included	0
Side struts, optional	0
Net weight	12.5 Kg
Radome	Rigid plastic
Wind velocity Operational	180 Km/h
Wind velocity Survival	250 Km/h
Wind deflection	<0.3 times the -3 dB beamwidth
(with a wind velocity of 45 m/s)	Specified wind deflection applies for 115 mm dia mounting pipe only

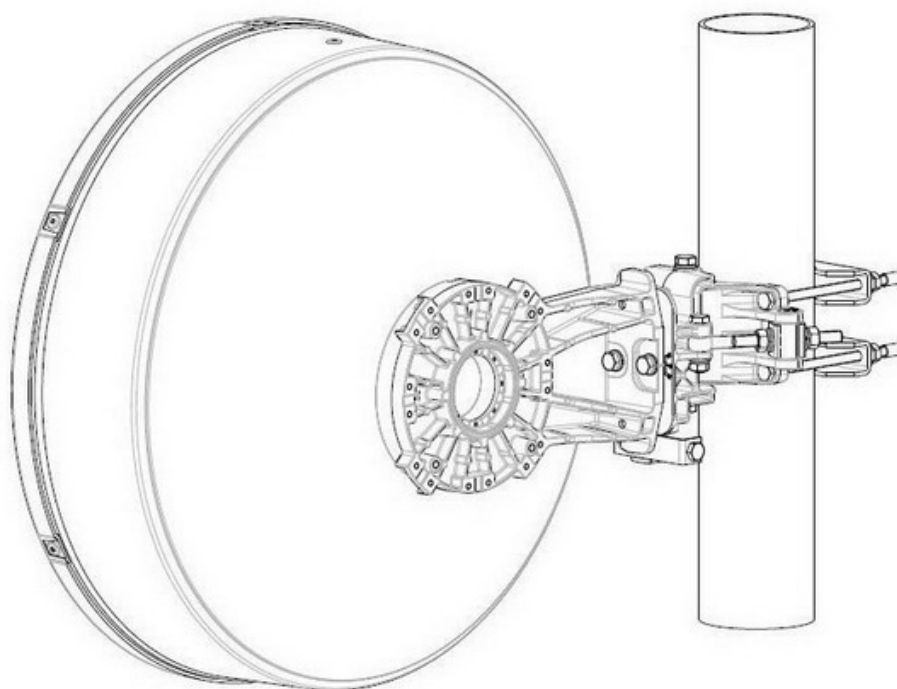
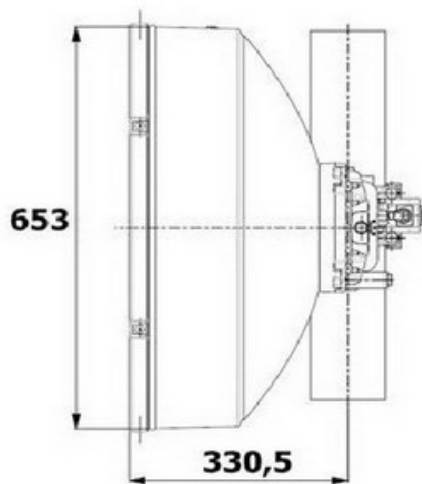
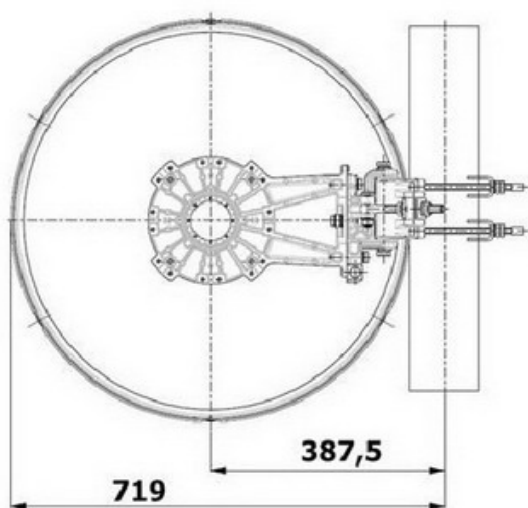
## ↙ Antenna Dimensions

(pole mount included)

Height 653.0 mm

Width 719.0 mm

Depth 330.5 mm



## ↘ Wind forces at wind velocity survival rating and with 25 mm (1") ice load

Axial force	1444 N
Side force	715 N
Twisting Moment	527 N m

Maximum forces exerted on a supporting structure as a result of wind (survival rating) from the most critical direction for each parameter. These values may not occur simultaneously. All forces are referred to the mounting pipe of 115 mm diameter.

## ↘ Electrical Characteristics

Frequency range	5.925 - 7.125 GHz
Gain, low band	28.2 dBi
Gain, mid band	28.8 dBi
Gain, top band	29.6 dBi
Return Loss	17.7 dB
VSWR	1.3
HPBW	6.0
Front to back ratio	51.0 dB
Isolation	35 dB
XPD	30.0 dB
Electrical Compliance	Class 2
	ETSI 302 217

## ↘ Shipping Information

Gross weight	18 kg
Height	600 mm
Depth	750 mm
Width	750 mm

