

Antenna THP 18-0525 D

Antenna THP 18 0525 D



▾ General Specifications

Diameter	1.8m
Standard Colour	RAL 7035
Shroud	Low profile
Antenna Input	Interface for N connector
Polarization	Dual

▾ Mechanical Characteristics

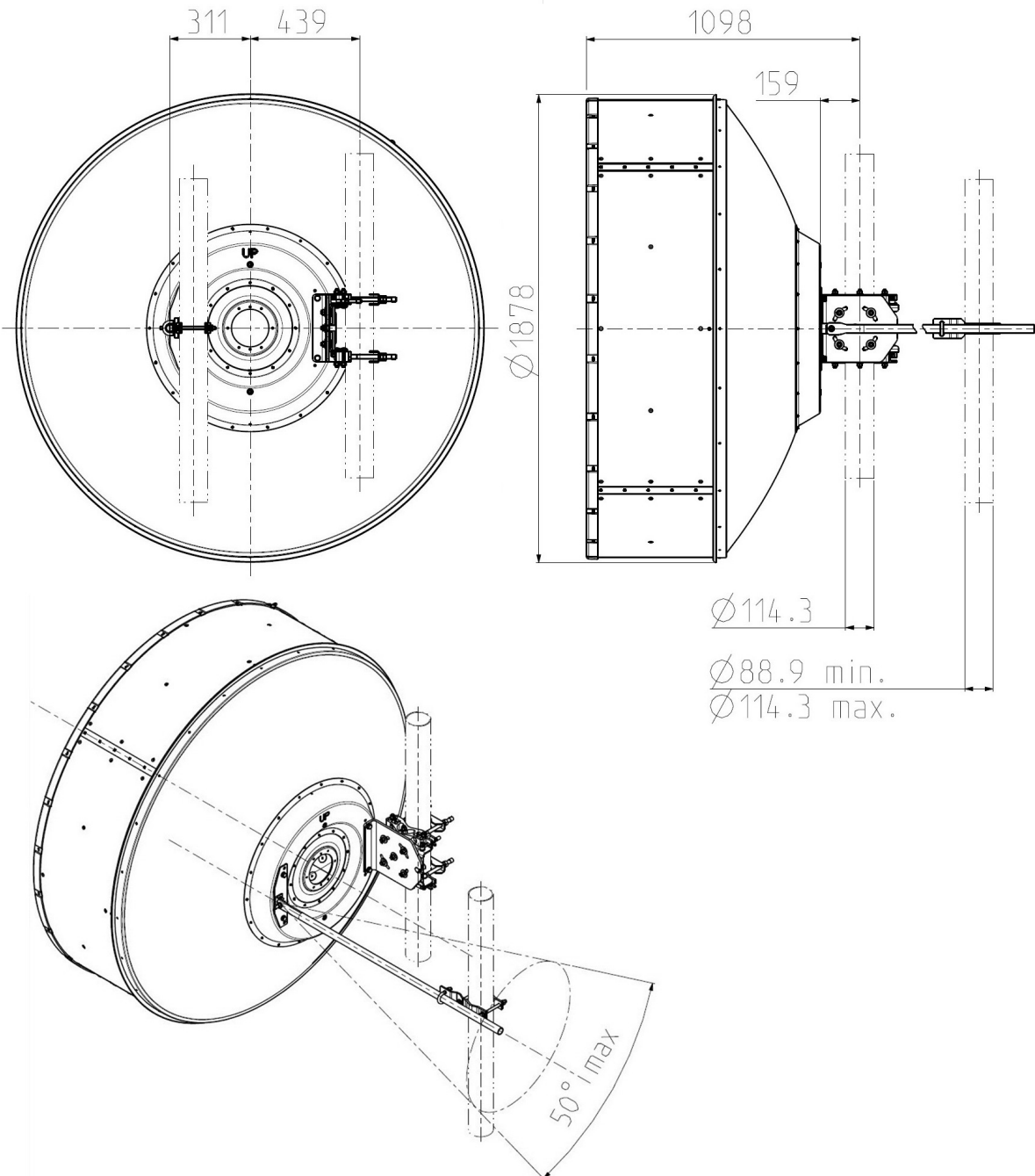
Pole	115 mm
Elevation-fine adjustment	+/- 15 deg
Azimuth-fine adjustment	+/- 10 deg
Side struts, included	1
Side struts, optional	1
Net weight	85 Kg
Radome	Rogid plastic
Wind velocity Operational	180 Km/h
Wind velocity Survival	250 Km/h
Wind deflection	<0.3 times the -3 dB beamwidth

(with a wind velocity of 45 m/s m/s)Specified wind deflection applies for 115 mm dia mounting pipe only

↙ Antenna Dimensions

(pole mount included)

Height	1878 mm
Width	1878 mm
Depth	1098 mm



↘ Wind forces at wind velocity survival rating and with 25 mm (1") ice load

Axial force	11094 N
Side force	5495 N
Twisting Moment	5550 N?m

Maximum forces exerted on a supporting structure as a result of wind (survival rating) from the most critical direction for each parameter. These values may not occur simultaneously. All forces are referenced to the mounting pipe (diameter 115 mm)

↘ Electrical Characteristics

Frequency range	5.25 - 5.85 GHz
Gain, low band	36.6 dBi
Gain, mid band	37.1 dBi
Gain, top band	37.5 dBi
Return Loss	14.0 dB
VSWR	1.5
HPBW	1.8°
Front to back ratio	60 dB
Isolation	35 dB
XPD	30 dB
Electrical Compliance	Class 2
	ETSI 302 217

↘ Shipping Information

Gross weight	130 kg
Height	2090 mm
Depth	1970 mm
Width	600 mm

