

# Antenna THP 12-0525 S



## ▾ General Specifications

Diameter	1.2m
Standard Colour	RAL 7035
Shroud	Low profile
Antenna Input	Interface for N connector
Polarization	Single

## ▾ Mechanical Characteristics

Pole	115 mm
Elevation-fine adjustment	+/- 15 deg
Azimuth-fine adjustment	+/- 10 deg
Side struts, included	1
Side struts, optional	0
Net weight	50 Kg
Radome	Rigid plastic
Wind velocity Operational	180 Km/h (200 Km/h with second additional side strut)
Wind velocity Survival	250 Km/h
Wind deflection	<0.3 times the -3 dB beamwidth
(with a wind velocity of 45 m/s)	Specified wind deflection applies for 115 mm dia mounting pipe only

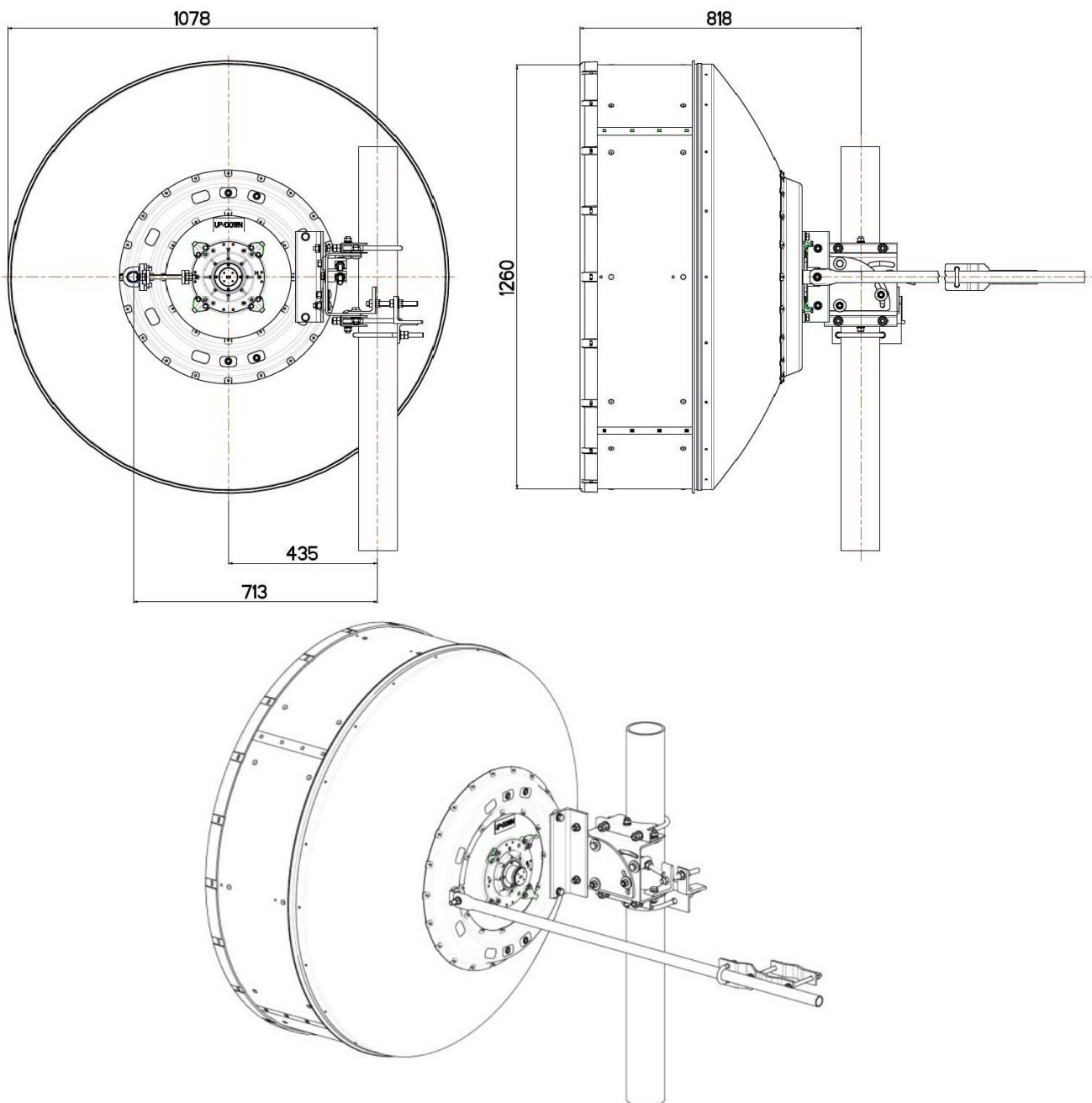
## ↙ Antenna Dimensions

(pole mount included)

Height 1260 mm

Width 1260 mm

Depth 818 mm



## ↘ Wind forces at wind velocity survival rating and with 25 mm (1") ice load

Axial force	5270 N
Side force	2610 N
Twisting Moment	2110 N?m

Maximum forces exerted on a supporting structure as a result of wind (survival rating) from the most critical direction for each parameter. These values may not occur simultaneously. All forces are referred to the mounting pipe of 115 mm diameter

## ↘ Electrical Characteristics

Frequency range	5.25 - 5.85 GHz
Gain, low band	32.9 dBi
Gain, mid band	33.3 dBi
Gain, top band	33.7 dBi
Return Loss	14.0 dB
VSWR	1.5
HPBW	4°
Front to back ratio	54 dB
Isolation	NA
XPD	30.0 dB
Electrical Compliance	Class 2
	ETSI 302 217

## ↘ Shipping Information

Gross weight	78 Kg
Height	1530 mm
Depth	480 mm
Width	1380 mm

