

# Antenna THP 06-0525 S



## ▾ General Specifications

Diameter	0.6 m
Standard Colour	RAL 7035
Shroud	Low profile
Antenna Input	Interface for N connector
Polarization	Single

## ▾ Mechanical Characteristics

Pole	50-115 mm
Elevation-fine adjustment	+/- 15 deg
Azimuth-fine adjustment	+/- 20 deg
Side struts, included	0
Side struts, optional	0
Net weight	12 Kg
Radome	Rigid plastic
Wind velocity Operational	180 Km/h
Wind velocity Survival	250 Km/h
Wind deflection	0.3 times the -3 dB beamwidth
(with a wind velocity of 30 m/s)	Specified wind deflection applies for 115 mm dia mounting pipe only

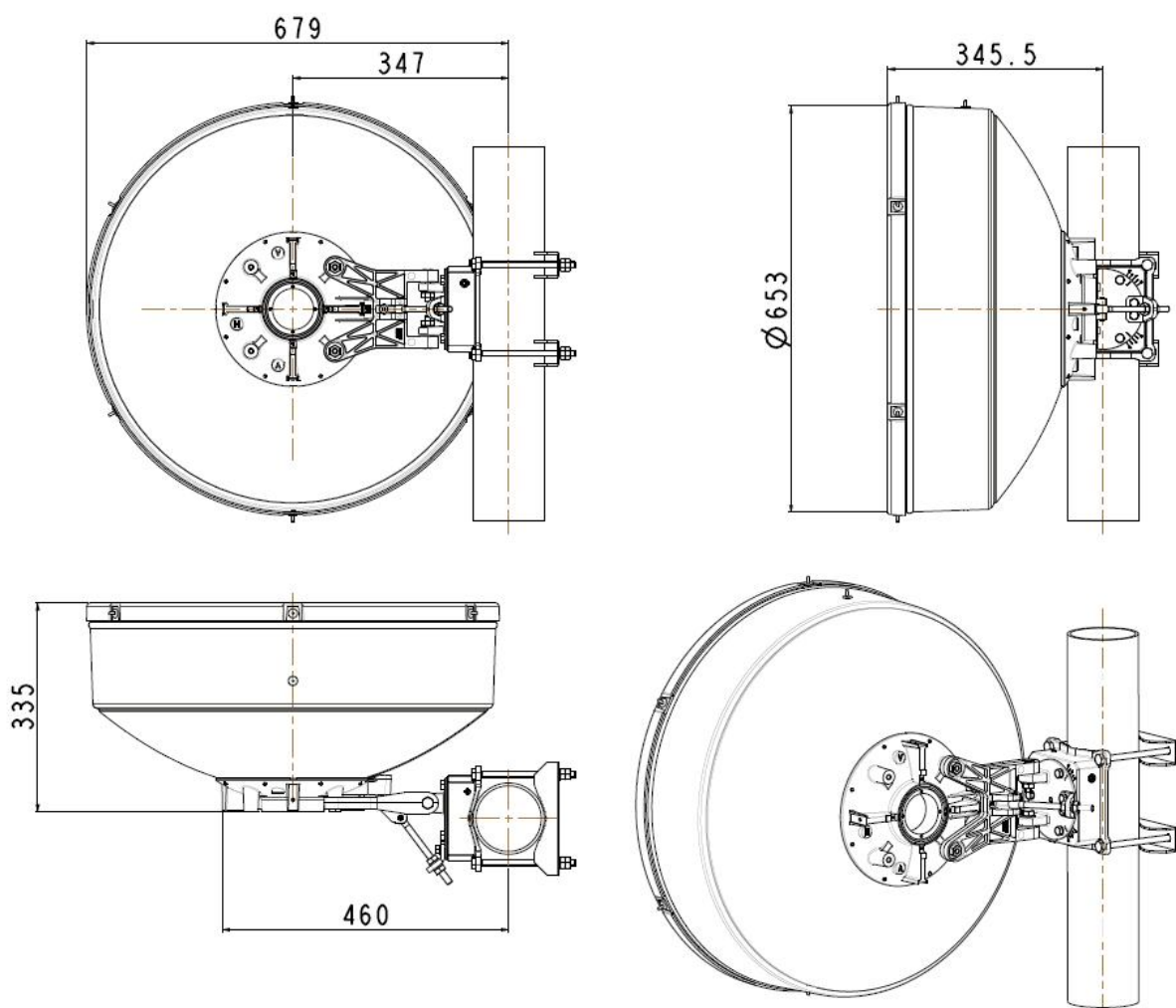
## ↙ Antenna Dimensions

(pole mount included)

Height 653.0 mm

Width 679.0 mm

Depth 345.5 mm



## ↘ Wind forces at wind velocity survival rating and with 25 mm (1") ice load

Axial force	1444 N
Side force	715 N
Twisting Moment	527 N?m

Maximum forces exerted on a supporting structure as a result of wind (survival rating) from the most critical direction for each parameter. These values may not occur simultaneously. All forces are referred to the mounting pipe of 115 mm diameter

## ↘ Electrical Characteristics

Frequency range	5.25 - 5.85 GHz
Gain, low band	28.0 dBi
Gain, mid band	28.1 dBi
Gain, top band	28.2 dBi
Return Loss	14.0 dB
VSWR	1.5
HPBW	6°
Front to back ratio	49.0 dB
Isolation	NA
XPD	30.0 dB
Electrical Compliance	Class 2
	ETSI 302 217

## ↘ Shipping Information

Gross weight	15 Kg
Height	420 mm
Depth	750 mm
Width	750 mm

