

# Antenna THP18-142S

Antenna THP18-142S



## General Specifications

Diameter	1.8m
Standard Colour	RAL 7035
Shroud	Standard profile
Antenna Input	Interface for IEC waveguide R 140
Polarization	Single

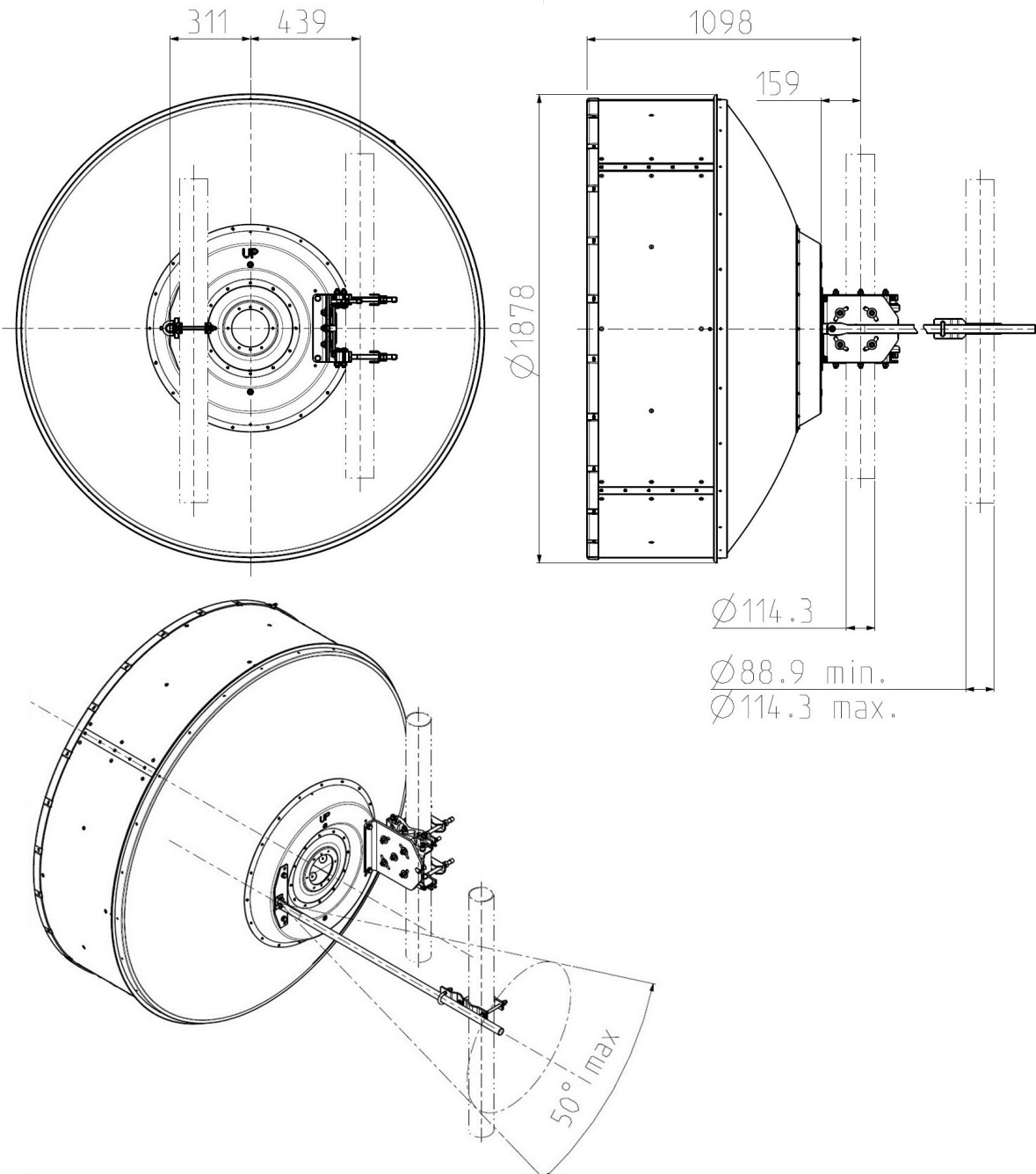
## Mechanical Characteristics

Pole	115 mm
Elevation-fine adjustment	+/- 15 deg
Azimuth-fine adjustment	+/- 10 deg
Side struts, included	1
Side struts, optional	1
Net weight	85 Kg
Radome	Rigid plastic
Wind velocity Operational	180 Km/h
Wind velocity Survival	250 Km/h
Wind deflection	<0.3 times the -3 dB beamwidth
(with a wind velocity of 45 m/s)	Specified wind deflection applies for mm dia mounting pipe only

## Antenna Dimensions

(pole mount included)

Height	1878 mm
Width	1878 mm
Depth	1098 mm



## ↘ Wind forces at wind velocity survival rating and with 25 mm (1") ice load

Axial force	11094 N
Side force	5495 N
Twisting Moment	5550 N*m

Maximum forces exerted on a supporting structure as a result of wind (survival rating) from the most critical direction for each parameter. These values may not occur simultaneously. All forces are referenced to the mounting pipe (diameter 115 mm)

## ↘ Electrical Characteristics

Frequency range	14.2 - 15.35 GHz
Gain, low band	45.9 dBi
Gain, mid band	46.2 dBi
Gain, top band	46.5 dBi
Return Loss	17.7 dB
VSWR	1.3
HPBW	0.8 deg
Front to back ratio	74 dB
Isolation	NA
XPD	30 dB
Electrical Compliance	ETSI 302 217 Class 3 ; Anatel Ato 932 Class 3 ETSI 302 217

## ↘ Shipping Information

Gross weight	130 Kg
Height	2090 mm
Depth	600 mm
Width	1970 mm

