

Antenna THP 12-100 DI WB

Antenna THP 12-100 DI WB



General Specifications

Diameter	1.2m
Standard Colour	RAL 7035
Shroud	Low profile
Antenna Input	Interface for IEC waveguide R 100
Polarization	Dual

Mechanical Characteristics

Pole	115 mm
Elevation-fine adjustment	+/- 15 deg
Azimuth-fine adjustment	+/- 10 deg
Side struts, included	1
Side struts, optional	0
Net weight	55 Kg
Radome	Rigid plastic
Wind velocity Operational	180 Km/h (200 Km/h with second additional side strut)
Wind velocity Survival	250 Km/h
Wind deflection	<0.3 times the -3 dB beamwidth
(with a wind velocity of 45 m/s)	Specified wind deflection applies for 115 mm dia mounting pipe only

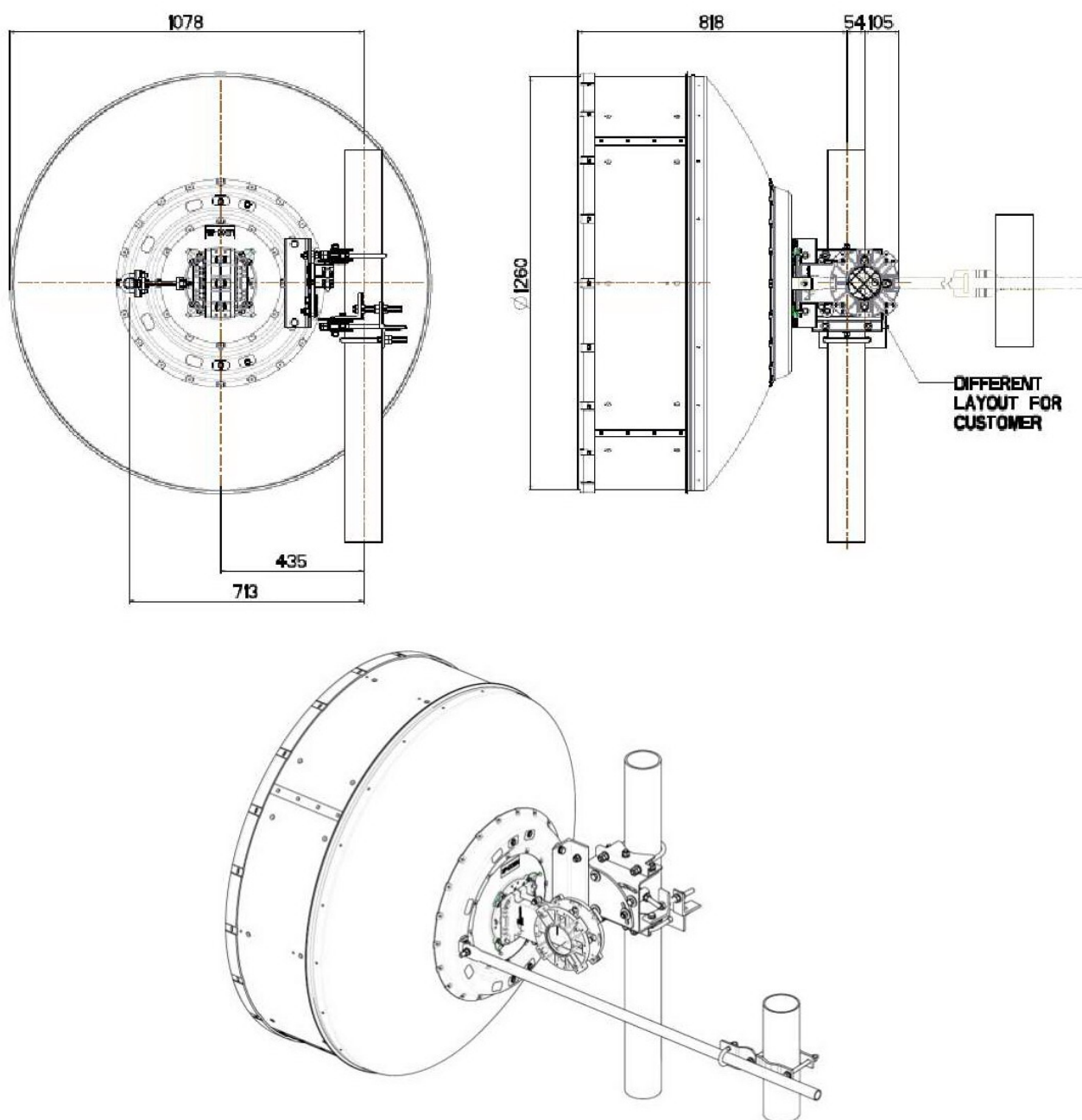
Antenna Dimensions

(pole mount included)

Height 1260 mm

Width 1260 mm

Depth 977 mm



↘ Wind forces at wind velocity survival rating and with 25 mm (1") ice load

Axial force	5270 N
Side force	2610 N
Twisting Moment	2110 N*m

Maximum forces exerted on a supporting structure as a result of wind (survival rating) from the most critical direction for each parameter. These values may not occur simultaneously. All forces are referred to the mounting pipe of 115 mm diameter.

↘ Electrical Characteristics

Frequency range	10 - 11.7 GHz
Gain, low band	39.2 dBi
Gain, mid band	39.8 dBi
Gain, top band	40.4 dBi
Return Loss	17.7 dB
VSWR	1.3
HPBW	1.8 deg
Front to back ratio	69 dB
Isolation	35 dB
XPD	30 dB
Electrical Compliance	ETSI 302 217 Class 3 FCC 101.115A

↘ Shipping Information

Gross weight	83 Kg
Height	1530 mm
Depth	480 mm
Width	1380 mm

