

Antenna THP 06-370 DI

 Antenna THP 06-370 DI



▾ General Specifications

| | |
|-----------------|-----------------------------------|
| Diameter | 0.6m |
| Standard Colour | RAL 7035 |
| Shroud | Low profile |
| Antenna Input | Interface for IEC waveguide R 320 |
| Polarization | Dual |

▾ Mechanical Characteristics

| | |
|----------------------------------|---|
| Pole | 50-115 mm |
| Elevation-fine adjustment | +/- 15 deg |
| Azimuth-fine adjustment | +/- 20 deg |
| Side struts, included | 0 |
| Side struts, optional | 0 |
| Net weight | 16 Kg |
| Radome | Rigid plastic |
| Wind velocity Operational | 180 Km/h |
| Wind velocity Survival | 250 Km/h |
| Wind deflection | <0.3 times the -3 dB beamwidth |
| (with a wind velocity of 45 m/s) | Specified wind deflection applies for mm dia mounting pipe only |

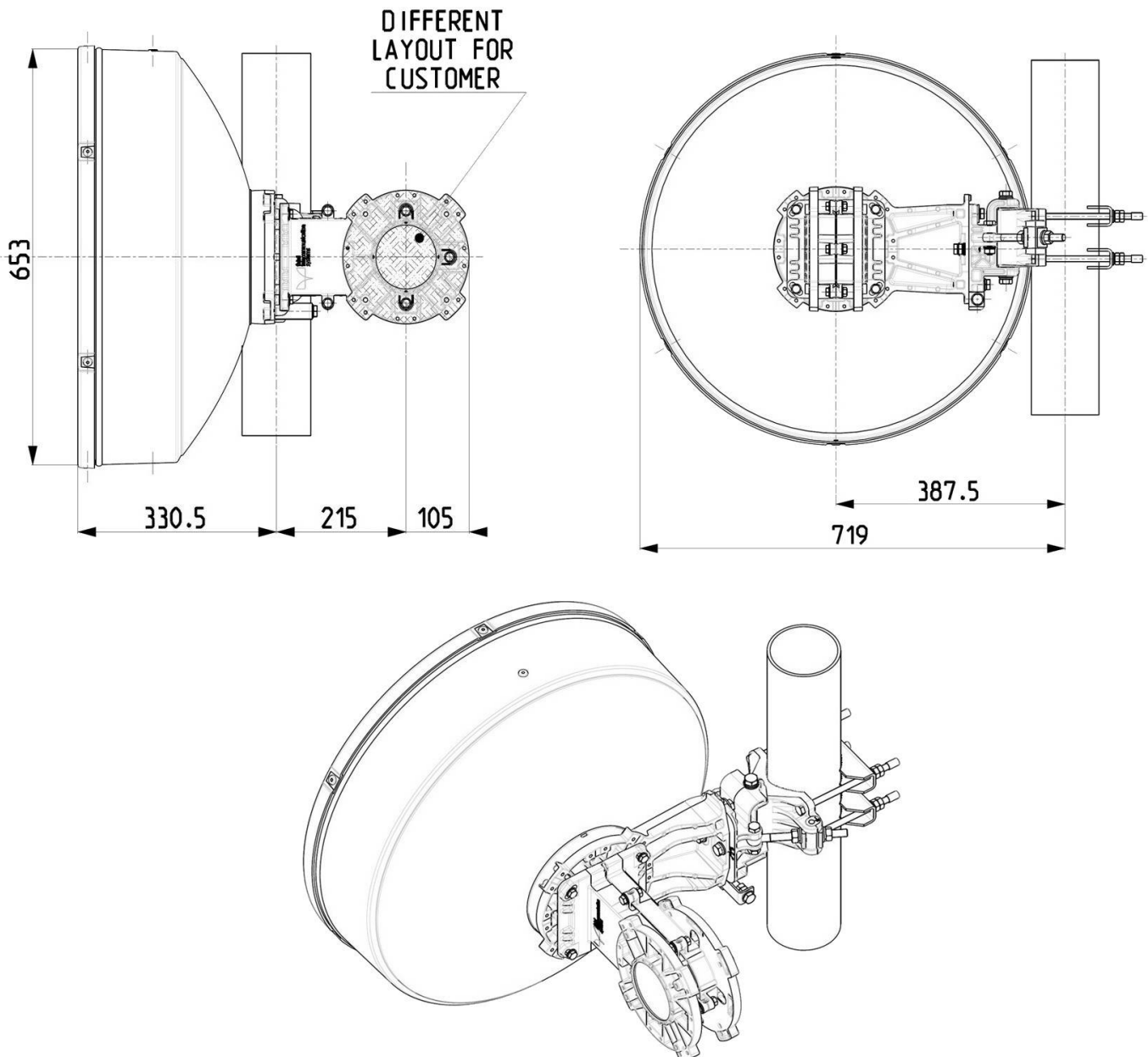
↙ Antenna Dimensions

(pole mount included)

Height 653.0 mm

Width 719.0 mm

Depth 655.5 mm



↘ Wind forces at wind velocity survival rating and with 25 mm (1") ice load

| | |
|-----------------|---------|
| Axial force | 1444 N |
| Side force | 715 N |
| Twisting Moment | 527 N*m |

Maximum forces exerted on a supporting structure as a result of wind (survival rating) from the most critical direction for each parameter. These values may not occur simultaneously. All forces are referred to the mounting pipe of 115 mm diameter.

↘ Electrical Characteristics

| | |
|-----------------------|--------------------------|
| Frequency range | 37.0 - 40.0 GHz |
| Gain, low band | 43.9 dBi |
| Gain, mid band | 44.2 dBi |
| Gain, top band | 44.5 dBi |
| Return Loss | 17.7 dB |
| VSWR | 1.3 |
| HPBW | 1° |
| Front to back ratio | 66 dB |
| Isolation | 35 dB |
| XPD | 30 dB |
| Electrical Compliance | Class 3B ETSI 302 217 |

↘ Shipping Information

| | |
|--------------|--------|
| Gross weight | 20 kg |
| Height | 420 mm |
| Depth | 750 mm |
| Width | 750 mm |

