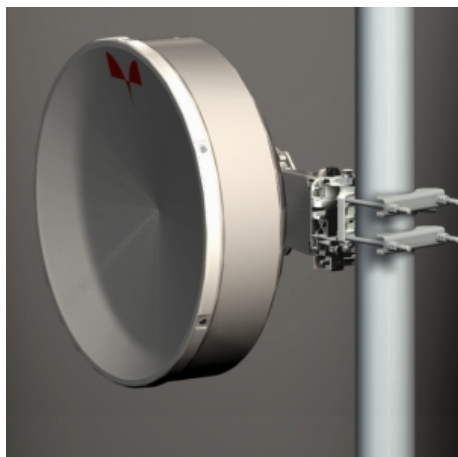


Antenna THP06-177S

Antenna THP06-177S



General Specifications

Diameter	0.6m
Standard Colour	RAL 7035
Shroud	Low profile
Antenna Input	Interface for IEC waveguide R 220
Polarization	Single

Mechanical Characteristics

Pole	50-115 mm
Elevation-fine adjustment	+/- 15 deg
Azimuth-fine adjustment	+/- 20 deg
Side struts, included	0
Side struts, optional	0
Net weight	12 Kg
Radome	Rigid plastic
Wind velocity Operational	180 Km/h
Wind velocity Survival	250 Km/h
Wind deflection	< 0.3 times the - 3 dB beam width
(with a wind velocity of 45 m/s)	Specified wind deflection applies for 115 mm dia mounting pipe only

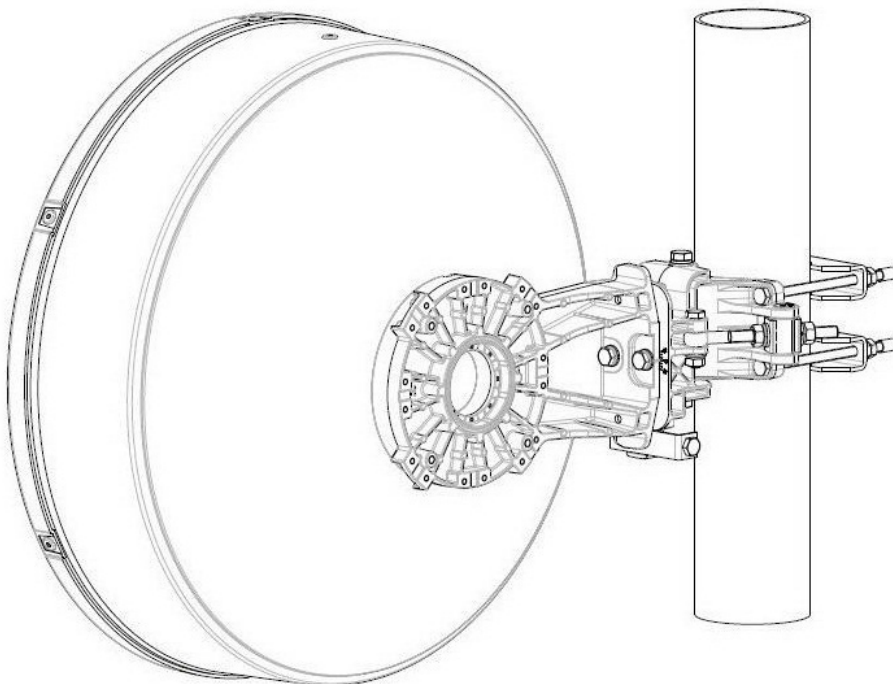
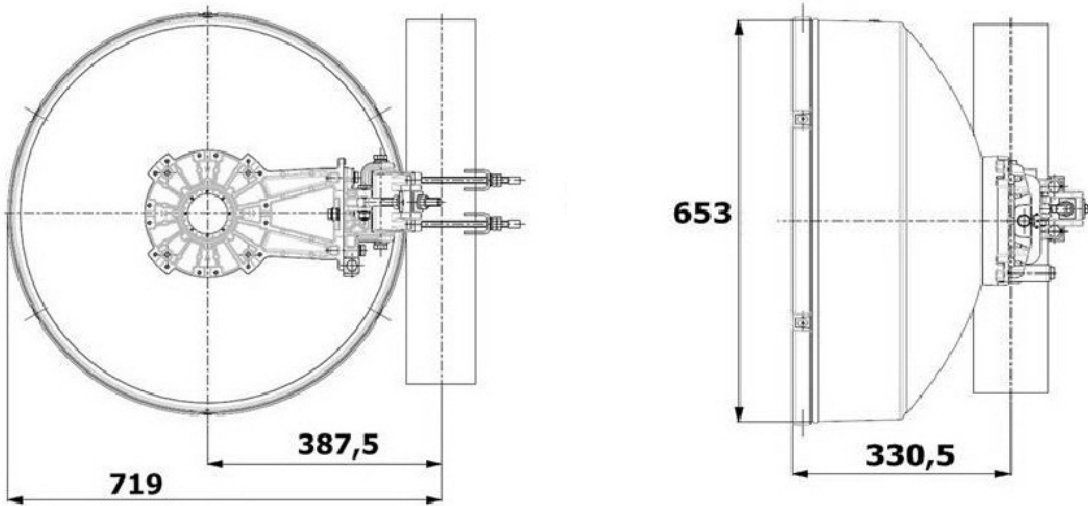
↙ Antenna Dimensions

(pole mount included)

Height 653.0 mm

Width 719.0 mm

Depth 330.5 mm



↘ Wind forces at wind velocity survival rating and with 25 mm (1") ice load

Axial force	1444 N
Side force	715 N
Twisting Moment	527 N m

Maximum forces exerted on a supporting structure as a result of wind (survival rating) from the most critical direction for each parameter. These values may not occur simultaneously. All forces are referred to the mounting pipe of 115 mm diameter.

↘ Electrical Characteristics

Frequency range	17.7 - 19.7 GHz
Gain, low band	38.7 dBi
Gain, mid band	39.0 dBi
Gain, top band	39.5 dBi
Return Loss	17.7 dB
VSWR	1.3
HPBW	2.0 deg
Front to back ratio	67 dB
Isolation	NA
XPD	30 dB
Electrical Compliance	ETSI 302 217 Class 3 ; Anatel Ato 932 Class 3 FCC 101.115A

↘ Shipping Information

Gross weight	15 Kg
Height	420 mm
Depth	750 mm
Width	750 mm

