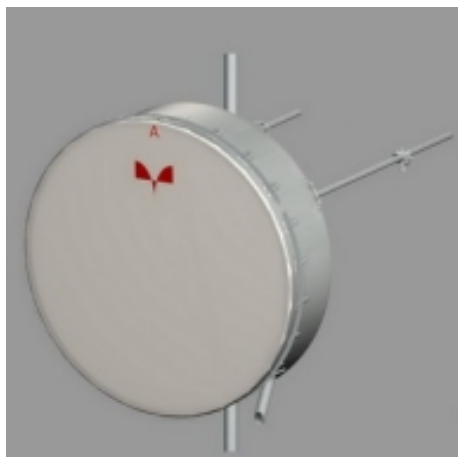


Antenna HP 30-071 S

 Antenna HP 30-071 S



▾ General Specifications

Diameter	3.0 m
Standard Colour	RAL 3070
Shroud	Standard profile
Antenna Input	Interface for IEC waveguide R 70
Polarization	Single

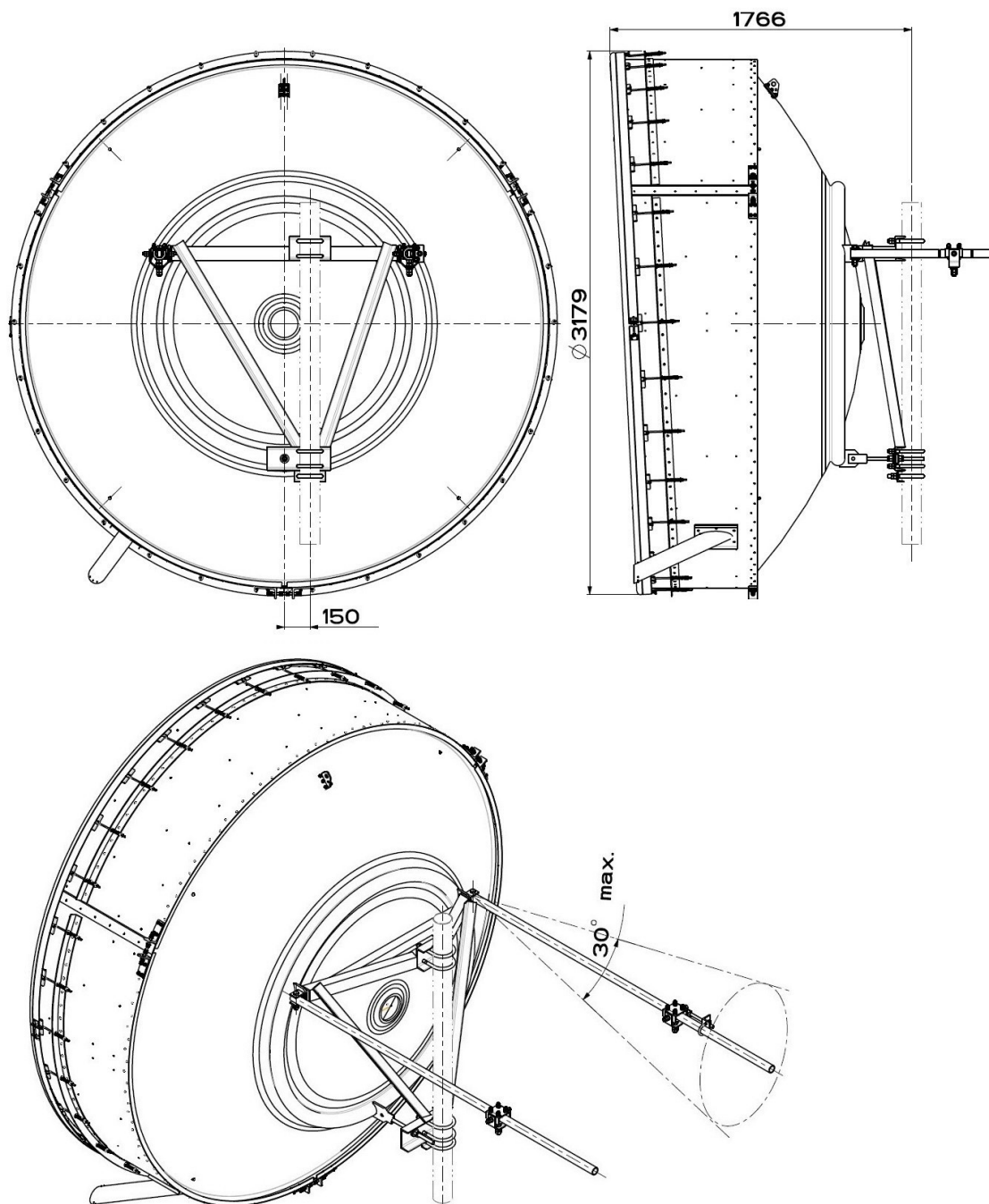
▾ Mechanical Characteristics

Pole	115 mm
Elevation-fine adjustment	±5°
Azimuth-fine adjustment	±5°
Side struts, included	2
Side struts, optional	0
Net weight	360 Kg
Radome	Complan fabric
Wind velocity Operational	30 m/s
Wind velocity Survival	55 m/s
Wind deflection	<0.3 times the -3 dB beamwidth
(with a wind velocity of 30 m/s)	Specified wind deflection applies for 115 mm dia mounting pipe only

↙ Antenna Dimensions

(pole mount included)

Height	3179 mm
Width	3179 mm
Depth	1766 mm



↘ Wind forces at wind velocity survival rating and with 25 mm (1") ice load

Axial force	18130 N
Side force	8980 N
Twisting Moment	8530 N?m

Maximum forces exerted on a supporting structure as a result of wind (survival rating) from the most critical direction for each parameter. These values may not occur simultaneously. All forces are referenced to the mounting pipe (diameter 115 mm)

↘ Electrical Characteristics

Frequency range	7.125-7.750 GHz
Gain, low band	44.3 dBi
Gain, mid band	44.7 dBi
Gain, top band	45.0 dBi
Return Loss	30.7 dB
VSWR	1.06
HPBW	1°
Front to back ratio	72 dB
Isolation	NA
XPD	30 dB
Electrical Compliance	Class 3

↘ Shipping Information

Gross weight	700 Kg
Height	3150 mm
Depth	2900 mm
Width	1800 mm

