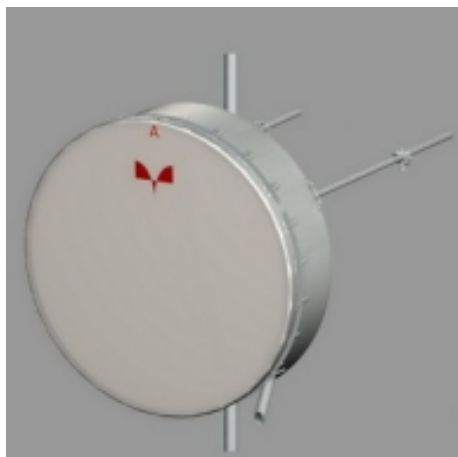


# Antenna HP 30-044 D

&nbsp;Antenna HP 30-044 D



## ▾ General Specifications

|                 |                                  |
|-----------------|----------------------------------|
| Diameter        | 3.0 m                            |
| Standard Colour | RAL 3070                         |
| Shroud          | High profile                     |
| Antenna Input   | Interface for IEC waveguide R 48 |
| Polarization    | Dual                             |

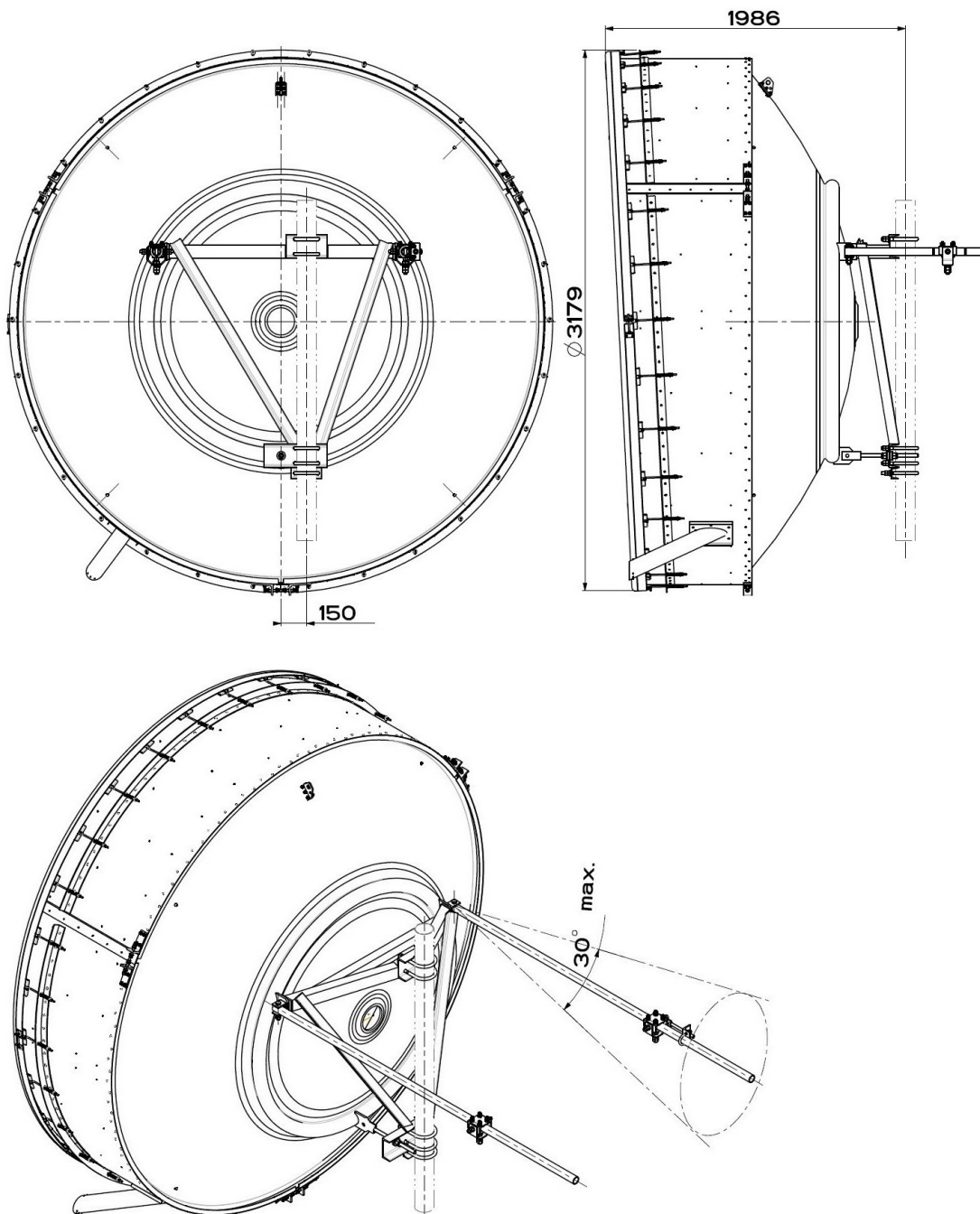
## ▾ Mechanical Characteristics

|                                  |   |
|----------------------------------|---|
| Pole                             | 115 mm  |
| Elevation-fine adjustment        | ±5°   |
| Azimuth-fine adjustment          | ±5°   |
| Side struts, included            | 2   |
| Side struts, optional            | 0   |
| Net weight                       | 360 Kg  |
| Radome                           | Complan fabric  |
| Wind velocity Operational        | 30 m/s  |
| Wind velocity Survival           | 55 m/s  |
| Wind deflection                  | <0.3 times the -3 dB beamwidth                                      |
| (with a wind velocity of 30 m/s) | Specified wind deflection applies for 115 mm dia mounting pipe only |

## ↙ Antenna Dimensions

(pole mount included)

|        |         |
|--------|---------|
| Height | 3179 mm |
| Width  | 3179 mm |
| Depth  | 1986 mm |



## ↘ Wind forces at wind velocity survival rating and with 25 mm (1") ice load

|                 |          |
|-----------------|----------|
| Axial force     | 18130 N  |
| Side force      | 8980 N   |
| Twisting Moment | 8530 N?m |

Maximum forces exerted on a supporting structure as a result of wind (survival rating) from the most critical direction for each parameter. These values may not occur simultaneously. All forces are referenced to the mounting pipe (diameter 115 mm)

## ↘ Electrical Characteristics

|                       |           |
|-----------------------|-----------|
| Frequency range       | 4.4-5 GHz |
| Gain, low band        | 40.3 dBi  |
| Gain, mid band        | 40.8 dBi  |
| Gain, top band        | 41.3 dBi  |
| Return Loss           | 30.7 dB   |
| VSWR                  | 1.06      |
| HPBW                  | 1.6°      |
| Front to back ratio   | 68 dB     |
| Isolation             | 35 dB     |
| XPD                   | 30 dB     |
| Electrical Compliance | Class 3   |

## ↘ Shipping Information

|              |         |
|--------------|---------|
| Gross weight | 700 Kg  |
| Height       | 3150 mm |
| Depth        | 2900 mm |
| Width        | 1800 mm |

