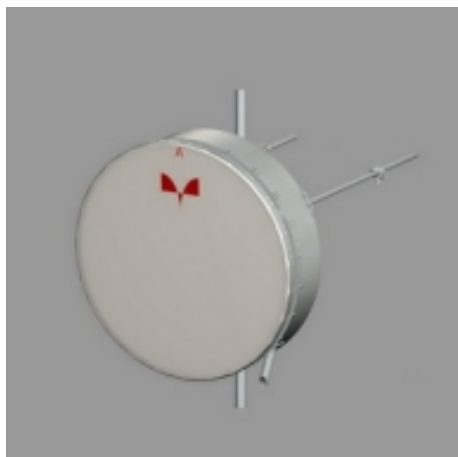


Antenna HP 24-107 D

 Antenna HP 24-107 D



General Specifications

Diameter	2.4 m
Standard Colour	RAL 7030
Shroud	Standard profile
Antenna Input	Interface for IEC waveguide R 100
Polarization	Dual

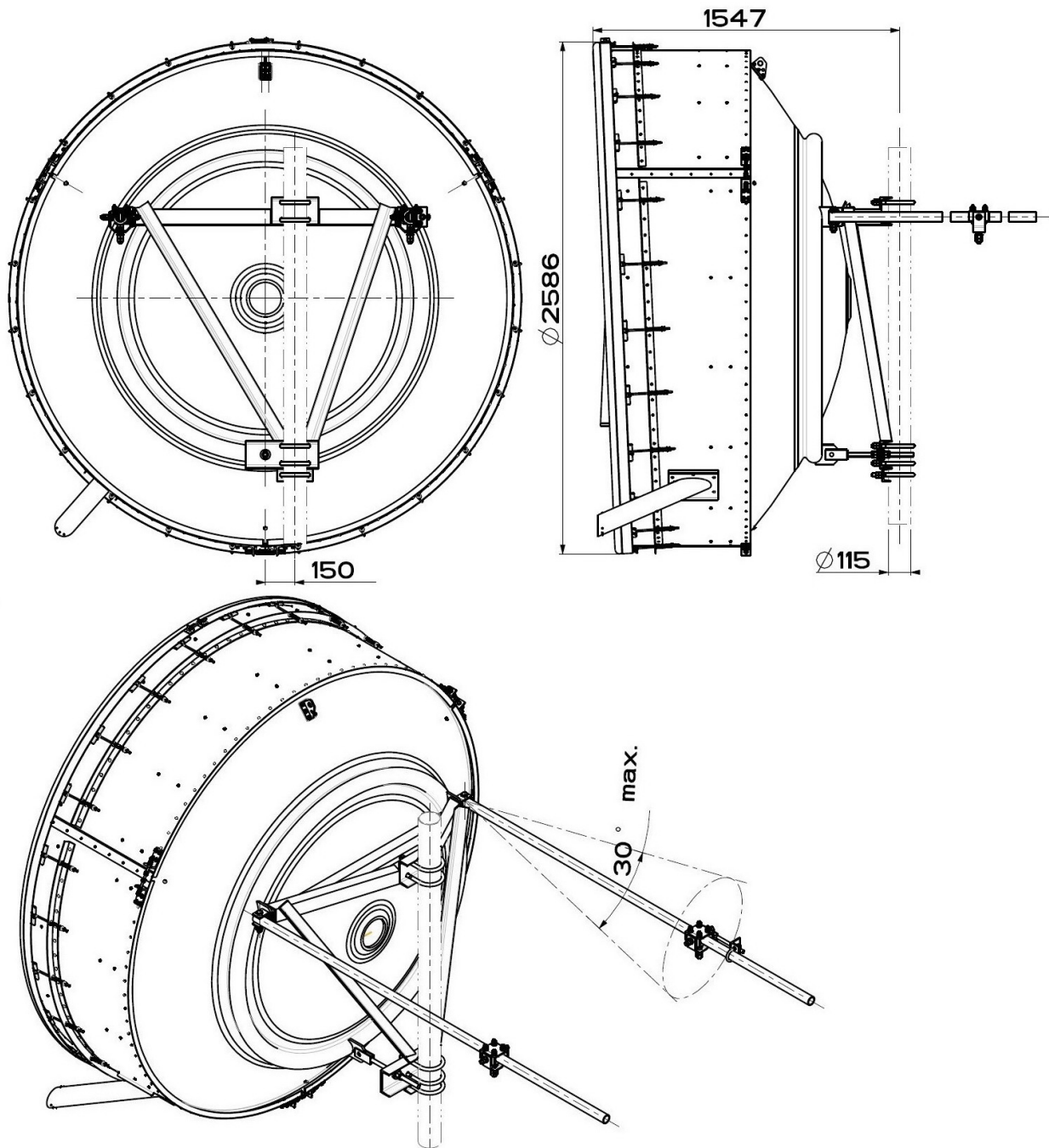
Mechanical Characteristics

Pole	115 mm
Elevation-fine adjustment	$\pm 5^\circ$
Azimuth-fine adjustment	$\pm 5^\circ$
Side struts, included	2
Side struts, optional	0
Net weight	250 Kg
Radome	Complan fabric
Wind velocity Operational	30 m/s
Wind velocity Survival	55 m/s
Wind deflection	<0.3 times the -3 dB beamwidth
(with a wind velocity of 30 m/s)	Specified wind deflection applies for 115 mm dia mounting pipe only

↙ Antenna Dimensions

(pole mount included)

Height	2550 mm
Width	2550 mm
Depth	1560 mm



↘ Wind forces at wind velocity survival rating and with 25 mm (1") ice load

Axial force	12750 N
Side force	6315 N
Twisting Moment	5220 N?m

Maximum forces exerted on a supporting structure as a result of wind (survival rating) from the most critical direction for each parameter. These values may not occur simultaneously. All forces are referred to the mounting pipe of 115 mm diameter.

↘ Electrical Characteristics

Frequency range	10.7-11.7 GHz
Gain, low band	46.0 dBi
Gain, mid band	46.4 dBi
Gain, top band	46.8 dBi
Return Loss	29.4 dBi
VSWR	1.07
HPBW	0.75°
Front to back ratio	72 dB
Isolation	40 dB
XPD	30 dB
Electrical Compliance	Class 3

↘ Shipping Information

Gross weight	500 Kg
Height	2850 mm
Depth	2500 mm
Width	970 mm

