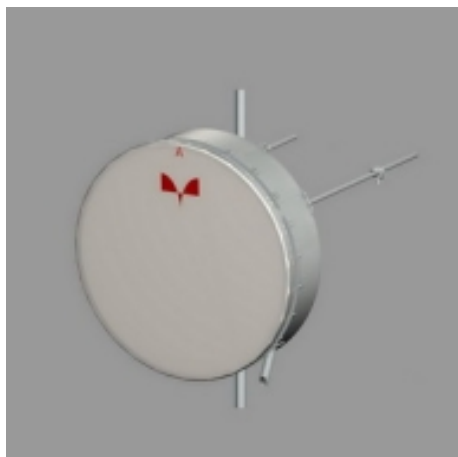


Antenna HP 24-077 D

 Antenna HP 24-077 D



▾ General Specifications

Diameter	2.4 m
Standard Colour	RAL 7030
Shroud	Standard profile
Antenna Input	Interface for IEC waveguide R 84
Polarization	Dual

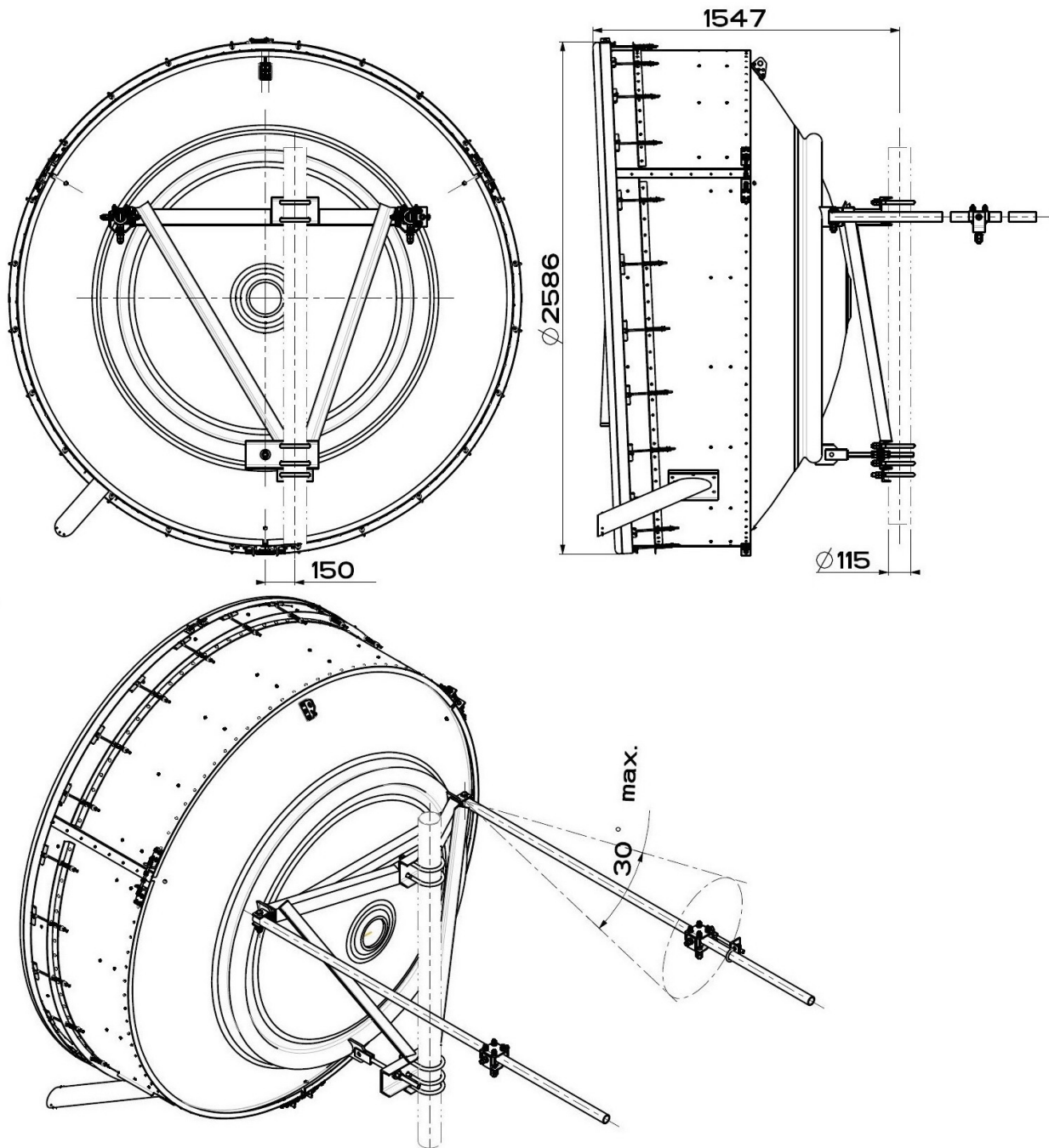
▾ Mechanical Characteristics

Pole	115 mm
Elevation-fine adjustment	±5°
Azimuth-fine adjustment	±5°
Side struts, included	2
Side struts, optional	0
Net weight	250 Kg
Radome	Complan fabric
Wind velocity Operational	30 m/s
Wind velocity Survival	55 m/s
Wind deflection	<0.3 times the -3 dB beamwidth
(with a wind velocity of 30 m/s)	Specified wind deflection applies for 115 mm dia mounting pipe only

↙ Antenna Dimensions

(pole mount included)

Height	2550 mm
Width	2550 mm
Depth	1560 mm



↘ Wind forces at wind velocity survival rating and with 25 mm (1") ice load

Axial force	12750 N
Side force	6315 N
Twisting Moment	5220 N?m

Maximum forces exerted on a supporting structure as a result of wind (survival rating) from the most critical direction for each parameter. These values may not occur simultaneously. All forces are referenced to the mounting pipe (diameter 115 mm)

↘ Electrical Characteristics

Frequency range	7.750-8.5 GHz
Gain, low band	42.8 dBi
Gain, mid band	43.2 dBi
Gain, top band	43.5 dBi
Return Loss	30.7 dB
VSWR	1.06
HPBW	1°
Front to back ratio	69 dB
Isolation	40 dB
XPD	30 dB
Electrical Compliance	Class 3

↘ Shipping Information

Gross weight	500 Kg
Height	2850 mm
Depth	2500 mm
Width	970 mm

