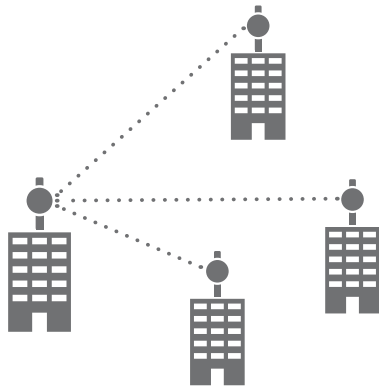


# Sectoral Antennas

## Portfolio

26 / 28 / 32 / 42 GHz

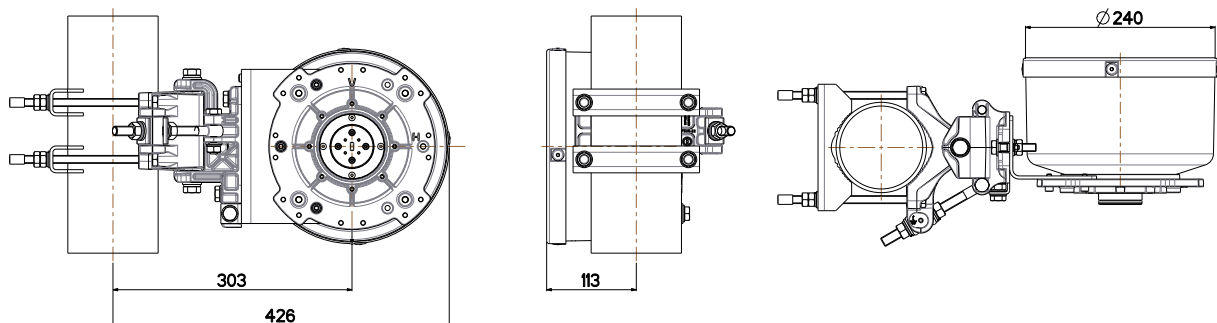


FIA-Faini has introduced a new line of Point to Multipoint (PMP) sectoral antennas 90o that operate at different frequency ranges and gains. The antennas are suitable for both standalone and direct-mount installation, as they are compatible with the interfaces available by the major radio brands.

Their highly-robust design makes FIA-Faini's sectoral antennas the best choice for installation at premises with extreme environmental conditions and with high wind velocity, up to 250 Km/h.

The FIA-Faini's product portfolio also includes a symmetrical directional coupler, with enhanced inter-port isolation. It is suitable for combining a pair of sectoral antennas in order to cover wider azimuth angles.

	HANT 2690 H+HG	HANT 2690 V+HG	HANT 2690 H	HANT 2690 V	HANT 2890 H+HG	HANT 2890 V+HG	HANT 2890 H	HANT 2890 V	HANT 3290 H+HG	HANT 3290 V+HG	HANT 3290 H	HANT 3290 V	HANT 4290 H+HG	HANT 4290 V+HG
Frequency range [GHz]	24.25 – 26.5				27.5 – 29.5				31.8 – 33.4				40.5 – 43.5	
Type	Sectoral 90°													
Gain [dBi]	19		15		19		15		19		15		18.7	
Polarization	Horiz.	Vert.	Horiz.	Vert.	Horiz.	Vert.	Horiz.	Vert.	Horiz.	Vert.	Horiz.	Vert.	Horiz.	Vert.
HPBW [deg] (Azimuth / Elevation)	90 / 4		90 / 11		90 / 4		90 / 11		90 / 3.5		90 / 9		90 / 3.5	
Return Loss [dB]	≤ -10		≤ -15		≤ -10				≤ -10				≤ -10	
F/B [dB]	30 (worst)													
XPD [dB]	25 (worst)													
Electrical Compliance	ETSI EN 302 326-3 V1.3.1 SS2b													
Input flange	UBR220 (WR42)				UBR320 (WR28)				UBR320 (WR28)				UBR400 (WR22)	
Lighting Protection	DC grounded													
EL / AZ fine adjustment [deg]	±15 / ±20													
Net Weight [Kg] (Without / With Mounting Bracket)	2.9 / 7.9													
Operating Temperature [°C]	-40 to +60													
Humidity (at 30°C) [%]	95													
Wind Operational / Survival [m/s]	250													



Fabbrica Italiana Antenne – Faini Telecommunication Systems Srl.  
Via Firenze, 11 20063 Cernusco s/n (MI)  
t: +39 02 923921.1 | f: +39 02 923921.777  
www.fainitelecommunication.com