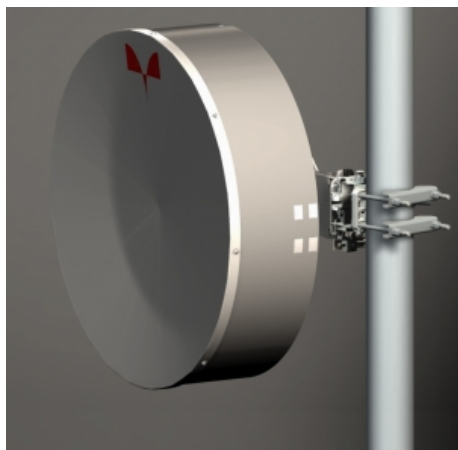


# Antenna THP 08 100 S WB

Antenna THP 08 100 S WB



## ▾ General Specifications

Diameter	0.8m
Standard Colour	RAL 7035
Shroud	Low profile
Antenna Input	Interface for IEC waveguide R-100 (IEC R-120 on request)
Polarization	Single

## ▾ Mechanical Characteristics

Pole	115 mm
Elevation-fine adjustment	$\pm 15^\circ$
Azimuth-fine adjustment	$\pm 20^\circ$
Side struts, included	0
Side struts, optional	1
Net weight	17 Kg
Radome	Rigid plastic
Wind velocity Operational	30 m/s (with optional strut Kit 45 m/s)
Wind velocity Survival	70 m/s
Wind deflection	<0.3 times the - dB beam width
(with a wind velocity of 30 m/s)	Specified wind deflection applies for 115 mm dia mounting pipe only

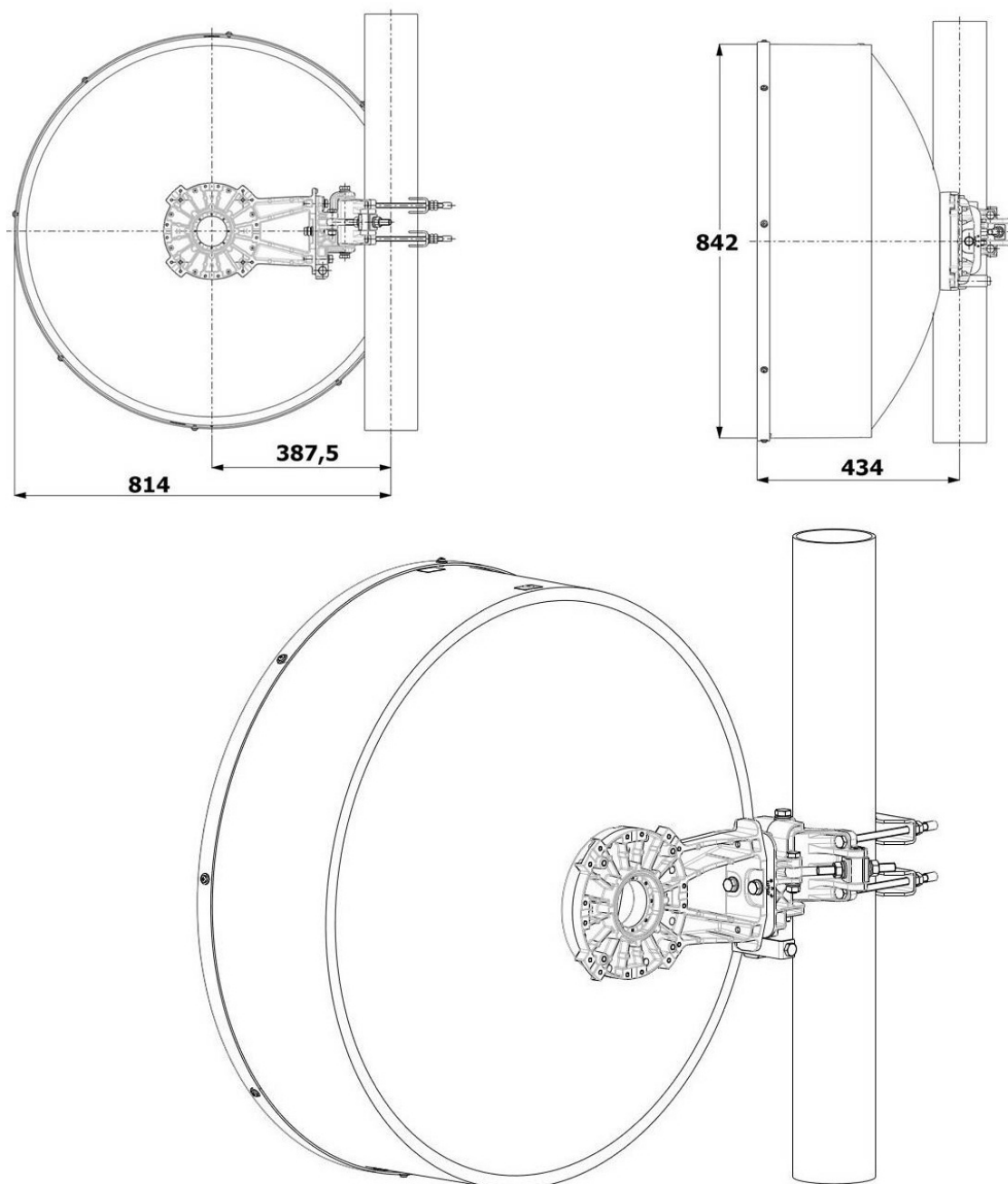
## ↙ Antenna Dimensions

(pole mount included)

Height 842 mm

Width 814 mm

Depth 434 mm



## ↘ Wind forces at wind velocity survival rating and with 25 mm (1") ice load

Axial force	2230 N
Side force	1105 N
Twisting Moment	821 N m

Maximum forces exerted on a supporting structure as a result of wind (survival rating) from the most critical direction for each parameter. These values may not occur simultaneously. All forces are referred to the mounting pipe of 115 mm diameter.

## ↘ Electrical Characteristics

Frequency range	10 - 11.7 GHz
Gain, low band	36.3 dBi
Gain, mid band	36.9 dBi
Gain, top band	37.5 dBi
R.L.	17.7 dB
VSWR	1.3
HPBW	2.8°
Front-to-back- ratio	64.0 dB
Isolation	NA
XPD	30.0 dB
RPER	ETSI 302 217
Electrical Compliance	Class 3

## ↘ Shipping Information

Gross weight	25.5 Kg
Height	550 mm
Depth	900 mm
Width	900 mm

