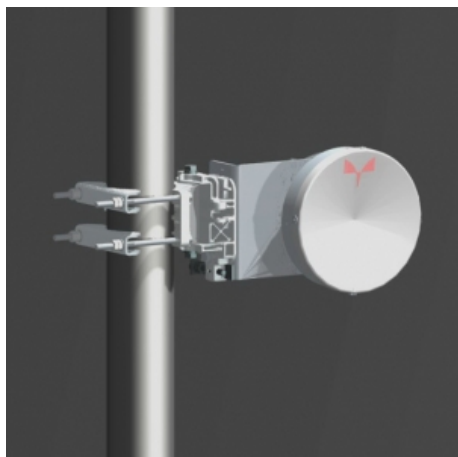


# Antenna THP 02 212 S

Antenna THP 02 212 S



## ▾ General Specifications

Diameter	0.2m
Standard Colour	RAL 7035
Shroud	Low profile
Antenna Input	Interface for IEC waveguide R 220
Polarization	Single

## ▾ Mechanical Characteristics

Pole	50÷115 mm
Elevation-fine adjustment	+/- 15 deg
Azimuth-fine adjustment	+/- 20 deg
Side struts, included	0
Side struts, optional	0
Net weight	6 Kg
Radome	Rigid plastic
Wind velocity Operational	30 m/s
Wind velocity Survival	70 m/s
Wind deflection	<0.3 times the -3 dB beam width
(with a wind velocity of 30 m/s)	Specified wind deflection applies for 115 mm dia mounting pipe only

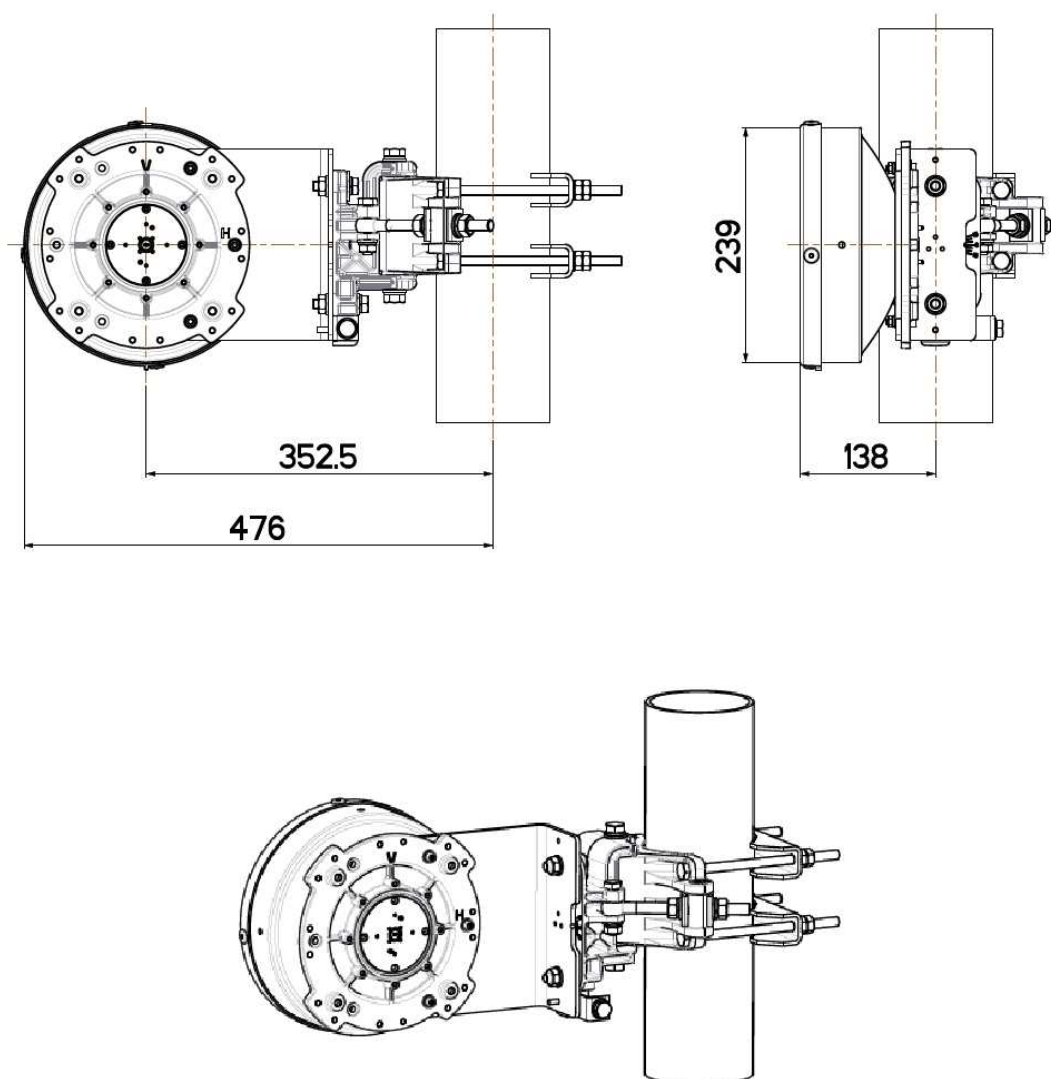
## ↙ Antenna Dimensions

(pole mount included)

Height 239 mm

Width 476 mm

Depth 138 mm



## ↘ Wind forces at wind velocity survival rating and with 25 mm (1") ice load

Axial force	209 N
Side force	104 N
Twisting Moment	70 N m

Maximum forces exerted on a supporting structure as a result of wind (survival rating) from the most critical direction for each parameter. These values may not occur simultaneously. All forces are referred to the mounting pipe of 115 mm diameter.

## ↘ Electrical Characteristics

Frequency range	21.2 - 23.6 GHz
Gain, low band	30.4 dBi
Gain, mid band	30.8 dBi
Gain, top band	31.2 dBi
Return Loss	17.7 dB
VSWR	1.3
HPBW	4.5°
Front to back ratio	56 dB
Isolation	NA
XPD	30 dB
Electrical Compliance	Class 2

## ↘ Shipping Information

Gross weight	8 Kg
Height	430.0 mm
Depth	490.0 mm
Width	330.0 mm

