

# Antenna THP 06-100 DI WB

&nbsp;Antenna THP 06-100 DI WB



## ▾ General Specifications

Diameter	0.6m
Standard Colour	RAL 7035
Shroud	Low profile
Antenna Input	Interface for IEC waveguide R 100
Polarization	Dual

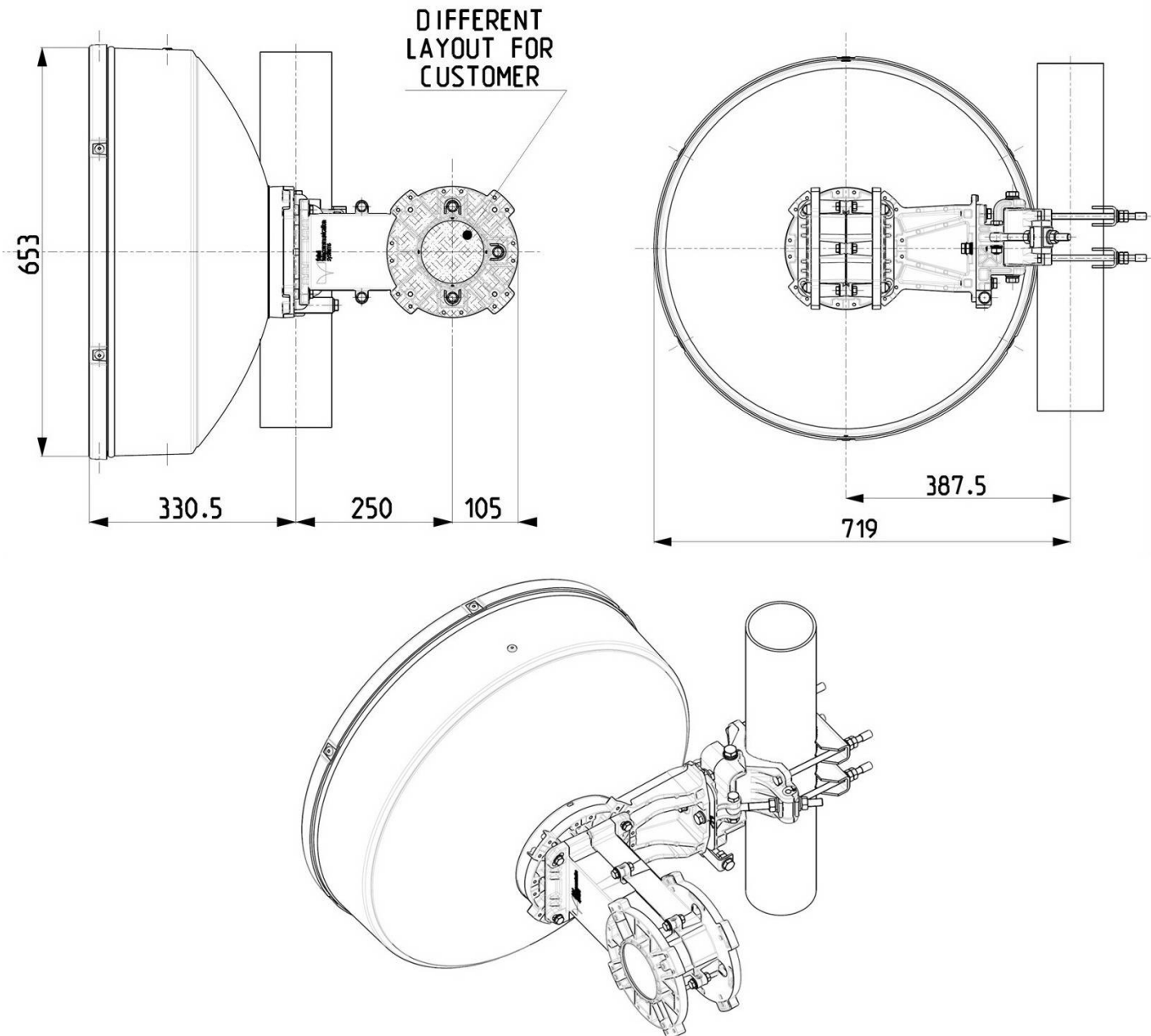
## ▾ Mechanical Characteristics

Pole	50-115 mm
Elevation-fine adjustment	+/- 15 deg
Azimuth-fine adjustment	+/- 20 deg
Side struts, included	0
Side struts, optional	0
Net weight	16 Kg
Radome	Rigid plastic
Wind velocity Operational	45 m/s
Wind velocity Survival	70 m/s
Wind deflection	<0.3 times the -3 dB beamwidth
(with a wind velocity of 45 m/s)	Specified wind deflection applies for mm dia mounting pipe only

## Antenna Dimensions

(pole mount included)

Height	653.0 mm
Width	719.0 mm
Depth	685.5 mm



## ↘ Wind forces at wind velocity survival rating and with 25 mm (1") ice load

Axial force	1444 N
Side force	715 N
Twisting Moment	527 N*m

Maximum forces exerted on a supporting structure as a result of wind (survival rating) from the most critical direction for each parameter. These values may not occur simultaneously. All forces are referred to the mounting pipe of 115 mm diameter.

## ↘ Electrical Characteristics

Frequency range	10 - 11.7 GHz
Gain, low band	33.5 dBi
Gain, mid band	34.1 dBi
Gain, top band	34.8 dBi
Return Loss	17.7 dB
VSWR	1.3
HPBW	3.4°
Front to back ratio	60 dB
Isolation	35 dB
XPD	30 dB
Electrical Compliance	Class 3

## ↘ Shipping Information

Gross weight	20 kg
Height	420 mm
Depth	750 mm
Width	750 mm

